

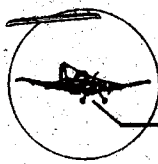
g+c  
1-800-542-8565

A  
TOUGH  
BIRD



# Lark Commander Parts Manual

**AERO COMMANDER DIVISION NORTH AMERICAN ROCKWELL**



1-800-542-8565

**J & C ENTERPRISES  
AVIATION, INC.**

**LONNIE HEINRICHS**

Sales

580-661-3591 • FAX 580-661-3783

Airport Road #14 • P.O. Box 660 • Thomas, OK 73669

VISIT OUR WEB SITE: [WWW.JCAVIATION.COM](http://WWW.JCAVIATION.COM)

E-MAIL ADDRESS: [jcaviation@pldi.net](mailto:jcaviation@pldi.net)

NORTH AMERICAN ROCKWELL CORPORATION

AERO COMMANDER DIVISION

*Illustrated Parts Catalog*

Albany Plant  
One Rockwell Avenue  
Albany, Georgia 31702 • 912/435-6181  
Cable Address: AEROCOM-Albany

**FOREWORD . . .**

This Parts Catalog is a current listing of parts for the Model 180 Lark. Changes and additions will occur. These changes and additions will be forwarded to you, the Dealer, for insertion in their proper places. It is extremely important that these additions, changes and illustrations be inserted upon receipt, so that there will be maximum utility of the catalog, and the high type of service offered which the owner of an Aero Commander Lark is entitled to expect.



AIRCRAFT

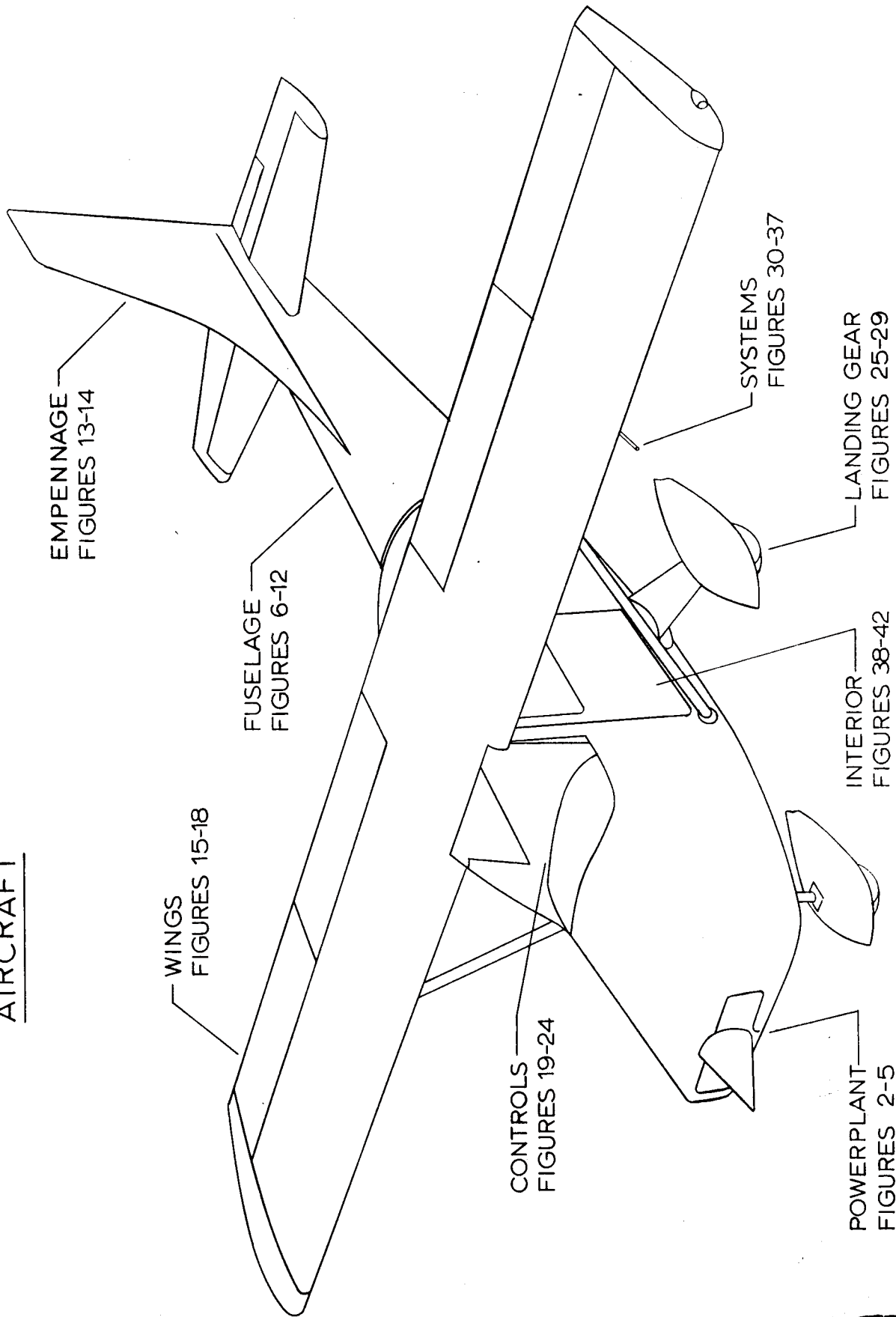


FIGURE 1  
I

INDEX   
**LARK COMMANDER**

## INDEX OF ILLUSTRATIONS

<u>Item</u>	<u>Figure</u>	<u>Page</u>
AIRCRAFT	1	1
POWER PLANT GROUP		
Engine and Propeller	2	3
Induction-Exhaust-Prime	3	5
Engine Cooling Baffles	4	6
Engine Cowling Installation	5	8
FUSELAGE GROUP		
Aft Fuselage	6	11
Forward Fuselage Weldment	7	14
Firewall	8	17
Instrument Panel	9	21
Fuselage Skins Forward	10	23
Windshield and Fuselage Skins - Aft	11	25
Cabin Doors	12	28
EMPENNAGE		
Fin and Rudder	13	30
Horizontal Stabilizer and Elevator	14	34
WING GROUP		
Wings	15	38
Wing Skins and Fairings	16	42
Lift Strut	17	45
Flaps-Aileron-L.E. Landing Light	18	47
FLIGHT CONTROL GROUP		
Control Yoke Installation	19	50
Rudder Control	20	54
Elevator Control	21	57
Elevator Trim	22	60
Flap Control	23	62
Aileron Control	24	65
LANDING GEAR		
Nose Gear and Engine Mount	25	68
Nose Wheel	26	70
Main Landing Gear	27	72
Brake System - Wheels and Brakes	28	74
Brake System - Routing	29	76

Individual systems or parts may be best located by reference to the index.

In order to obtain the proper replacement parts, we urge you to study the following example:

Fig. & Index	Part Number	Nomenclature	No. Req.	Effective Serials
-	34010	Fin Assembly -ATTACHING PARTS-	1	
-1	50851	Bolt, AN4-5A	4	
-2	55399	Nut, AN365-428	4	
-3	58770	Washer, AN960-416L ----*----	4	
-4	34152	.Frame Assy.-Vert. Stab.	1	
-5	34157	..Leading Edge Spar	1	
-6	34158	..Angle	1	
-7	34168	..Hinge Assembly	1	
-8	34171	...Plate Assembly	1	
-9	34182	....Plate	1	
-10	63010	....Bearing - Fafnir KS3L	1	
-11	34172	...Bracket	1	

1. The dash (-) indicates that the part is not illustrated as such. The fin assembly, in this case, is shown "exploded" (for quick part identification), but not assembled.
2. The items required to attach the part or parts immediately preceding are indicated by the starting phrase "-ATTACHING PARTS-". The end of the attaching parts list is indicated by the symbol "----\*----". In this example, items 1, 2 and 3 are required to attach the fin to the fuselage.
3. Indenture is indicated by dots preceding nomenclature, i.e., the plate assembly 34171 and one bracket 34172 assemble to make one hinge assembly 34168. You may then order one hinge assembly 34168 completed, or indicated details to repair a hinge assembly, such as a 63010 bearing.

NOTE: Parts which lose their identity by being permanently attached, i.e., by welding or by a drive fit, are not offered. Please also note that permanent type fasteners such as rivets are not listed.

4. Serial effectivity commences with serial 5001. Where no effectivity is noted, the line item applies to serial 5001 and subsequent.





<u>Item</u>	<u>Figure</u>	<u>Page</u>
SYSTEMS		
Fuel System - Routing	30	79
Fuel System - Tanks	31	82
Oil System	32	84
Electrical System - Powerplant	33	86
Electrical System - Panel	34	89
Electrical System - Airframe	35	92
Vacuum System	36	94
Pitot-Static System	37	96
INTERIOR		
Interior - Vent and Defrost	38	99
Interior - Upholstery	39	101
Interior - Carpet and Deck Covers	40	103
Interior - Floorboards	41	105
Interior - Seats	42	107



NORTH AMERICAN ROCKWELL CORPORATION

AERO COMMANDER DIVISION

*Illustrated Parts Catalog*

Albany Plant  
One Rockwell Avenue  
Albany, Georgia 31702 • 912/435-6161  
Cable Address: AEROCOM-Albany

**ILLUSTRATED PARTS LIST**

*Illustrated Parts Catalog*

Albany Plant  
 One Rockwell Avenue  
 Albany, Georgia 31702 • 912/435-6161  
 Cable Address: AEROCOM-Albany

FIG. & INDEX	PART NUMBER	NOMENCLATURE	NO. REQ.	EFFECTIVE SERIALS
2-		<u>ENGINE AND PROPELLER</u>		
-1	0-360-A2F	Engine - Lycoming Part No.	1	
-2	54LN-1227	Left Magneto - Lycoming Part No.	1	
-	54LN-1209	Right Magneto - Lycoming Part No.	1	
-3	MA-4-5	Carburetor - Lycoming Part No.	1	
-4	61052	Mixture Cable - Arens 21-006-144	1	
-5	63290	Swivel - Shakespeare 3A665-1/16 Kit	1	
-6	61057	Throttle Cable - Arens 252-001-19	1	
-7	53275	Bolt, AN23-14	1	
	58740	Washer, AN960-C10	1	
	54825	Nut, AN320-3	1	
	65755	Pin, MS24665-151	1	
-8	36013	Bracket	1	
-9	36014	Bracket	1	
-10	36217	Bracket	1	
		-ATTACHING PARTS-		
-11	57401	Clamp, AN742-D8	1	
-12	57395	Clamp, AN742-D6C	1	
-13	56798	Screw, AN526-832-10	5	
	55549	Nut, MS20365-832	5	
	58718	Washer, AN960-8	AR	
		---*---		
-14	62533	Propeller and Spacer - McCauley #1A 170/CFA 7660	1	
-15	63201	Spinner Assembly - McCauley 3875	1	
		-ATTACHING PARTS-		
-16	56838	Screw, AN526-832-R8	8	
	58718	Washer, AN960-8	8	
-17		Bolt, A-2513-33	6	
		Washer, A-1638-10	6	
		Safety Wire, MS33540	AR	
		---*---		
3-		<u>INDUCTION-EXHAUST-PRIME</u>		
-1	36226	Exhaust System	1	
		-ATTACHING PARTS-		
-2	65321	Gasket - Lycoming Part No.	4	
	55328	Nut, AN360-5	8	
	58571	Washer, AN935-516	8	
		---*---		

 - Indicates Not Illustrated

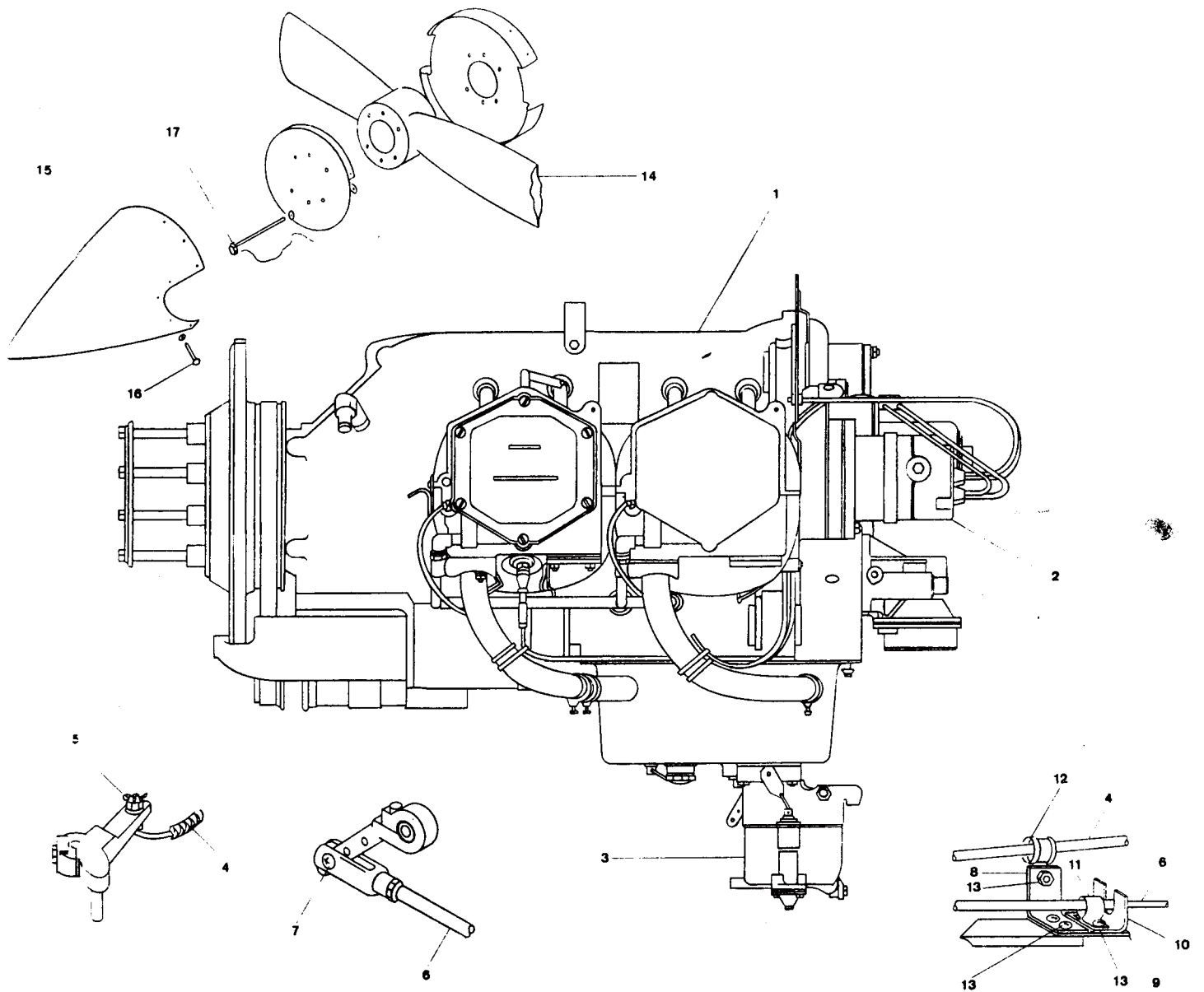


FIGURE 2

ENGINE AND  
 PROPELLER,  
 LARK COMMANDER

*Illustrated Parts Catalog*

Albany Plant  
 One Rockwell Avenue  
 Albany, Georgia 31702 • 912/435-8161  
 Cable Address: AEROCOM-Albany

FIG. & INDEX	PART NUMBER	NOMENCLATURE	NO. REQ.	EFFECTIVE SERIALS
3-				
-3	36229	Hose - Duct	1	
-4	36230	Hose - Duct	1	
-5	36228	Hose - Duct	1	
		-ATTACHING PARTS-		
-6	60851	Clamp - Aero seal QS200-M32S ----*----	6	
-7	36227	Hose - Duct	1	
		-ATTACHING PARTS-		
-	60858	Clamp, Aero seal QS200-M52S ----*----	2	
-8	36366	Air Box Assembly	1	
		-ATTACHING PARTS-		
-9	36216	Gasket	1	
-10	65011	Bolt, MS20074-04-06	4	
	58760	Washer, AN960-416	4	
		Safety Wire, MS33540 ----*----	AR	
-11	36367	.Arm Assembly, Air Box	1	
-12	60926	Carb. Heat Control - Shakespeare 3A1514	1	
		-ATTACHING PARTS-		
-13	36219	Bracket	1	
-14	56922	Screw, AN526-10R8	1	
	55599	Nut, MS20365-1032	1	
	57383	Clamp, AN742-D5C ----*----	1	
-15	36300	Vent Duct Assembly	1	
-16	36307	.Crank Assembly	1	
-17	60926	Cabin Heat Control - Shakespeare 3A1514	1	
		-ATTACHING PARTS-		
-18	65745	Pin, MS24665-132	1	
	58740	Washer, AN960-10 ----*----	1	
-19	36315	Heater Outlet Assembly	1	
-20	STD-853	Tee - Lycoming Part No.	2	
-21	61581-12	Primer Line - Lycoming Part No.	1	
-22	61581-3	Primer Line - Lycoming Part No.	1	
-23	61581-9	Primer Line - Lycoming Part No.	1	
-24	61581-2	Primer Line - Lycoming Part No.	1	
-25	36043	Tube Assembly	1	
-26	36041	Tube Assembly	1	

- Indicates Not Illustrated

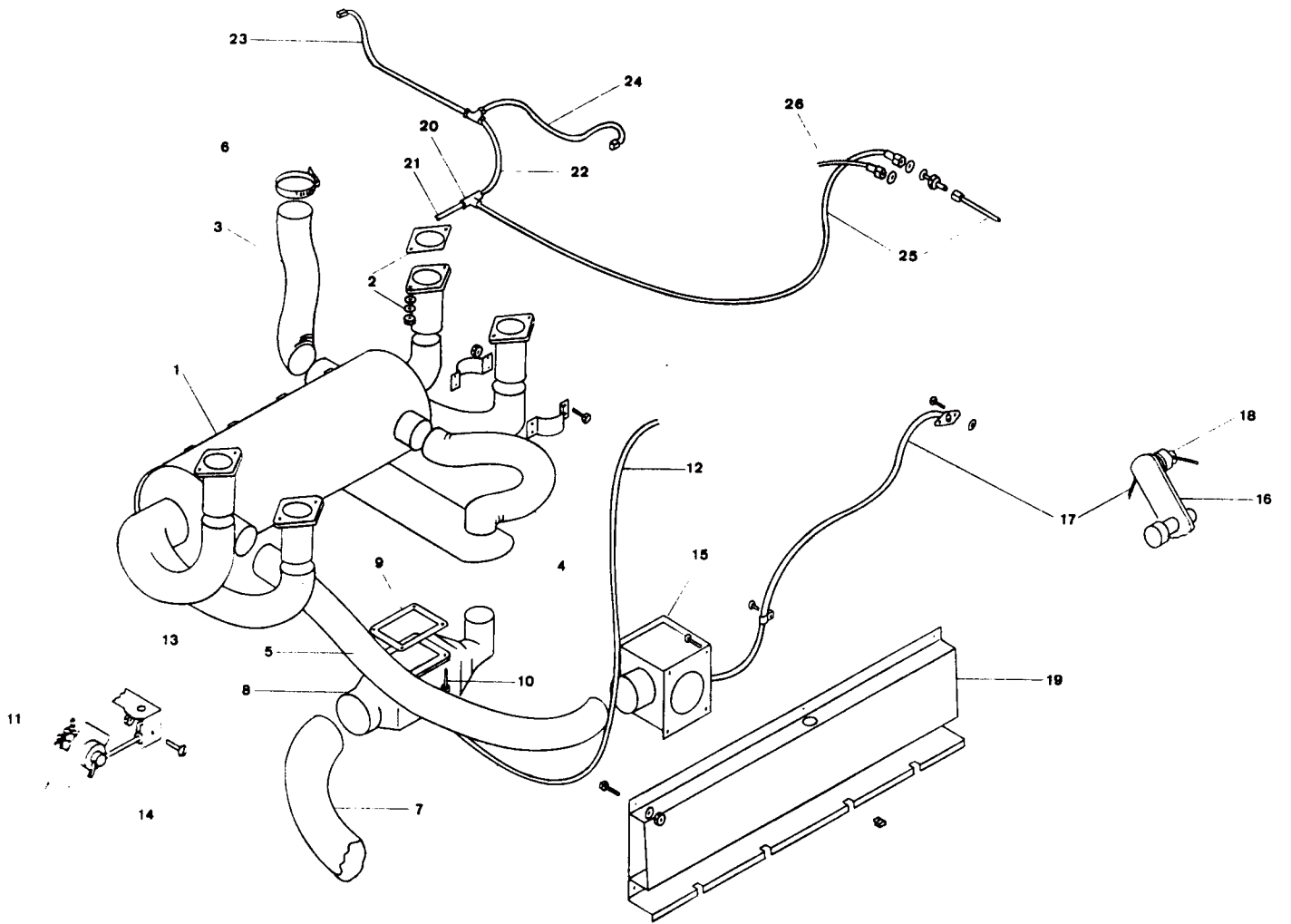


FIGURE 3

INDUCTION-EXHAUST-  
PRIME.  
LARK COMMANDER

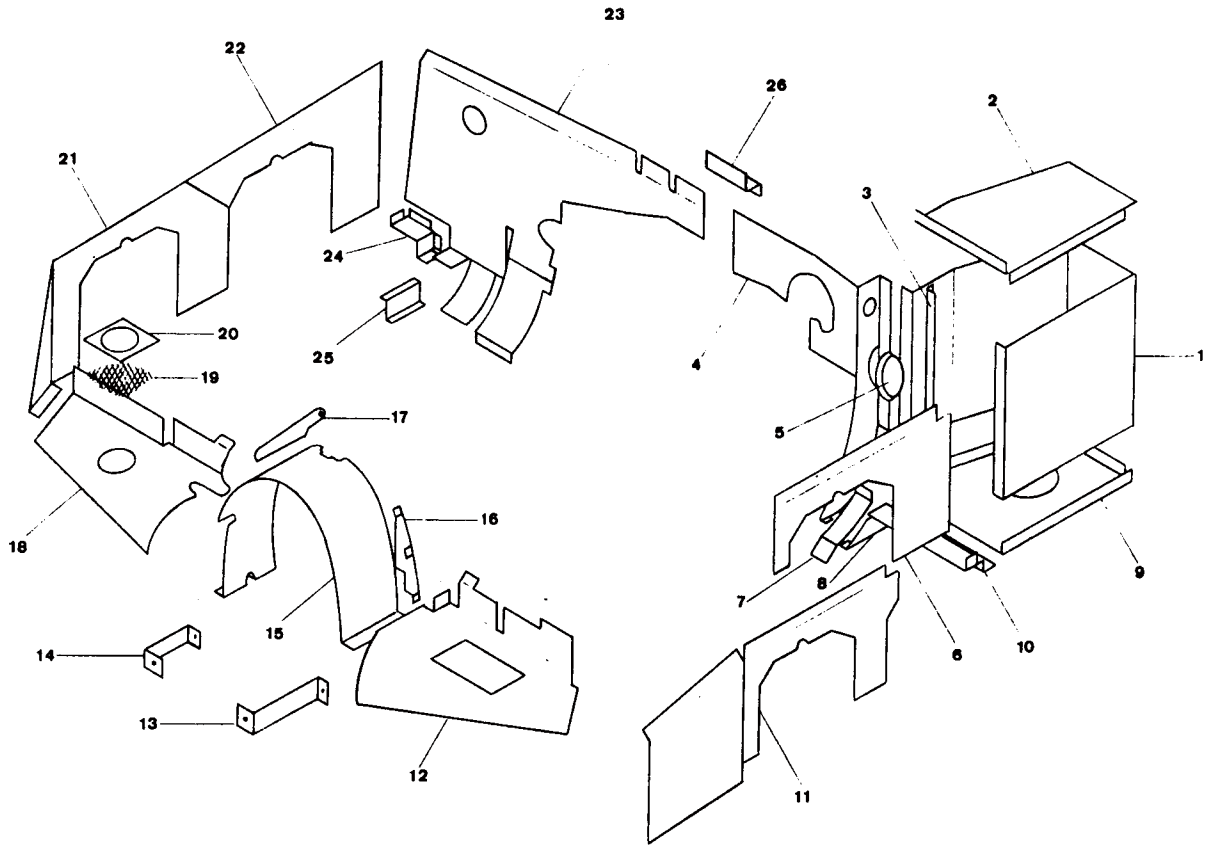


FIGURE 4

6

ENGINE COOLING  
BAFFLES.  
LARK COMMANDER



*Illustrated Parts Catalog*

Albany Plant  
 One Rockwell Avenue  
 Albany, Georgia 31702 • 912/435-8161  
 Cable Address: AEROCOM-Albany

FIG. & INDEX	PART NUMBER	NOMENCLATURE	NO. REQ.	EFFECTIVE SERIALS
4-		<u>ENGINE COOLING BAFFLES</u>		
-	36190	Baffle Assembly	1	
-1	36193	.Skin Air Box	1	
-2	36340	.Skin Assembly	1	
-3	36198	.Angle	2	
-4	36350	.Baffle Assembly	1	
-5	36200	.Cover Baffle	1	
-6	36344	.Baffle Assembly	1	
-7	36197	.Baffle Engine	1	
-8	36192	.Baffle Engine	1	
-9	36203	.Skin Weldment	1	
-10	36196	.Brkt. Baffles	1	
-11	36338	Baffle Assembly	1	
-12	36160	Baffle Assembly	1	
-13	36155	Bracket	1	
-14	36154	Bracket	1	
-	36175	Ring Assembly	1	
-15	36176	.Ring	1	
-16	36177	.Bracket	1	
-17	36178	.Bracket	1	
-18	36165	Baffle Assembly	1	
<del>-19</del>	<del>36168</del>	<del>.Screen</del> <i>Delete by AD</i>	1	
-20	36167	.Plate	1	
-21	36371	Baffle Assembly	1	
-22	36374	Baffle Assembly	1	
-	36180	Baffle Assembly	1	
-23	36348	.Baffle Assembly	1	
-24	36182	.Bracket	1	
-25	36183	.Bracket	1	
-26	36156	Bracket - Baffle	1	
		-ATTACHING PARTS-		
-	56859	Baffle to Baffle (Typ): Screw, AN526-1032-10	21	
	58744	Washer, AN960-C10L	21	
	55599	Nut, MS20365-1032	21	
-	58719	Baffle to Engine (Typ): Washer, AN960-8L	9	
	58623	Washer, AN936-B8	9	
	56596	Screw, AN526-420-8	9	
		---*---		

- Indicates Not Illustrated

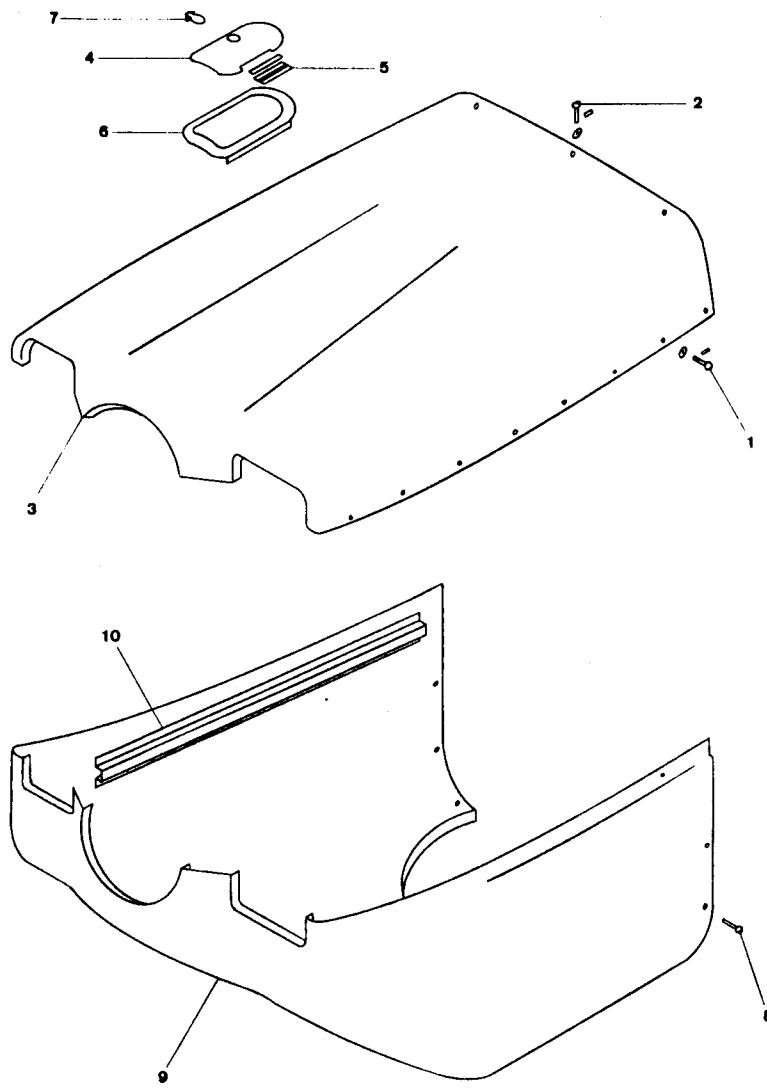


FIGURE 5

8

ENGINE COWLING  
INSTALLATION.  
LARK COMMANDER

*Illustrated Parts Catalog*

Albany Plant  
 One Rockwell Avenue  
 Albany, Georgia 31702 • 912/435-6161  
 Cable Address: AEROCOM-Albany

FIG. & INDEX	PART NUMBER	NOMENCLATURE	NO. REQ.	EFFECTIVE SERIALS
5-		<u>ENGINE COWLING</u>		
-	36702	Cowling Assembly Upper -ATTACHING PARTS-	1	
-1	61524	Grommet, Airloc 99869-1	21	
-2	59264	Stud, Airloc 98292-2-250	21	
	62357	Pin, Airloc 99836 ----*----	21	
-3	36713	.Shell Upper Cowling	1	
-	36708	.Door Assembly Oil Check	1	
-4	36723	..Door Oil Check	1	
-5	36724	..Hinge	1	
-6	36725	..Doubler	1	
-7	62157	..Camloc KM610-32	1	
-	36703	Cowl Assembly Bottom -ATTACHING PARTS-	1	
-8	56850	Screw, AN526R 10-R8 ----*----	6	
-9	36711	.Cowl Bottom	1	
-10	36712	.Stiffener, Cowl	2	
6-		<u>AFT FUSELAGE</u>		
-	33006	Aft Fuselage Assembly -ATTACHING PARTS-	1	
-1	52527	Bolt, AN6-26	4	
	54450	Nut, AN310-6	4	
	58790	Washer, AN960-616	8	
	55775	Cotter Pin, AN380-3-4 ----*----	4	
-2	33713-1/2	.Skin Side Aft Fuselage, L/H(-1), R/H(-2)	2	
-3	33084	.Cover	1	
-	33725	.Door Assembly	1	
-4	62261	..Corbin Lock P/N 15751xC2L	1	
-5	33724	..Door Assembly	1	
-6	30021	.Dorsal Fin	1	
-7	33703	.Skin Top Aft Fuselage	1	
-8	33704	.Skin Bottom Aft Fuselage	1	
-9	33718	.Channel	1	
-10	33719	.Channel	1	

- Indicates Not Illustrated

*Illustrated Parts Catalog*

Albany Plant

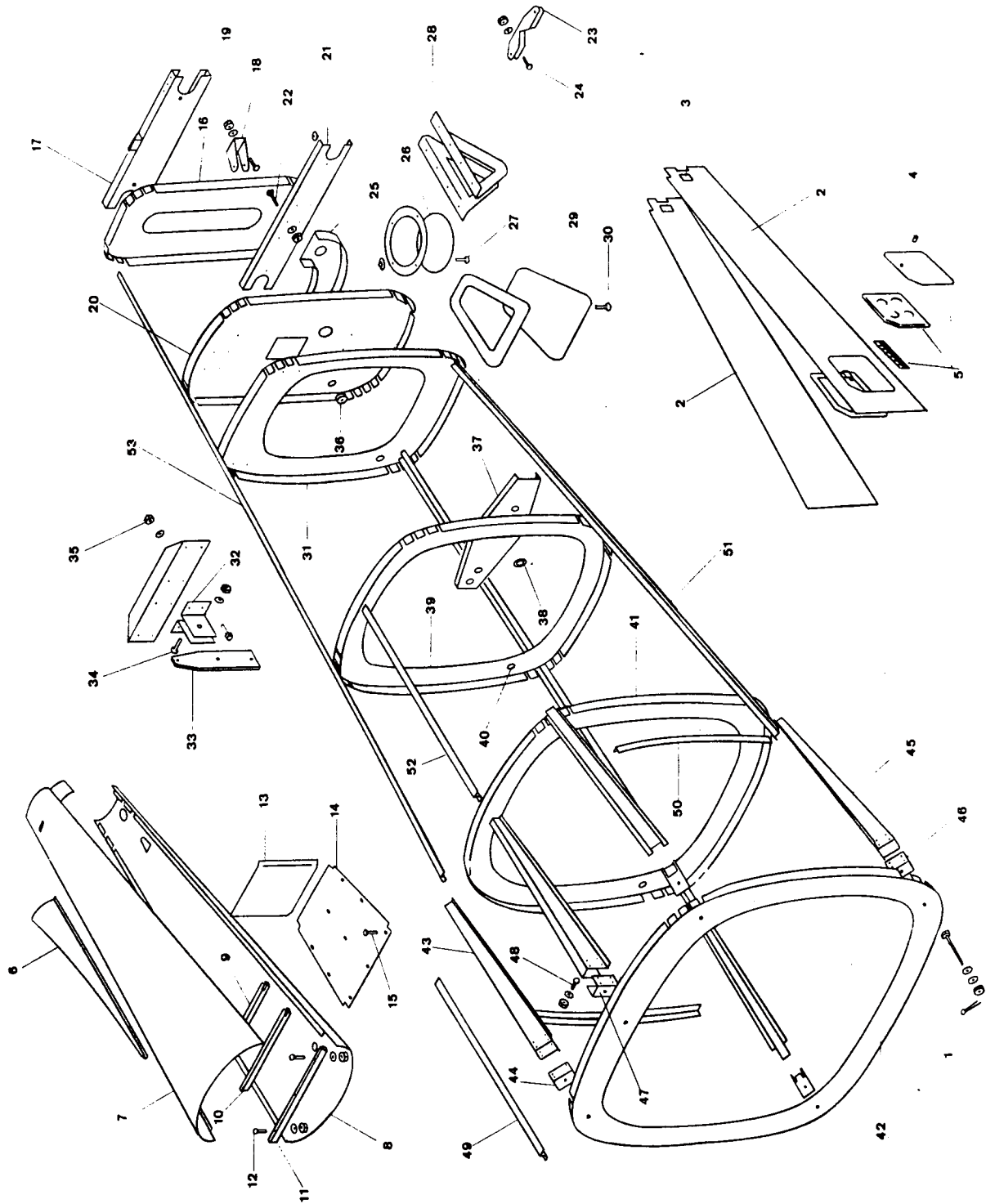
One Rockwell Avenue

Albany, Georgia 31702 • 912/435-6161

Cable Address: AEROCOM-Albany

FIG. & INDEX	PART NUMBER	NOMENCLATURE	NO. REQ.	EFFECTIVE SERIALS
6-				
-11	33720	.Channel	1	
		-ATTACHING PARTS-		
-12	68085	Screw, NAS220-8	2	
	58719	Washer, AN960-8L	2	
	55549	Nut, MS20365-832	2	
		----*----		
-13	33716	.Baggage Compartment Bulkhead	1	
-14	33717	.Floorboard	1	
		-ATTACHING PARTS-		
-15	68307	Nut Plate, NAS696 A3	2	
	68310	Nut Plate, NAS697 A3	7	
	56922	Screw, AN526-1032-R8	9	
		----*----		
-	33037	.Bulkhead Assembly, Station 214.00	1	
-16	33070	..Frame - Bulkhead - Station 214	1	
-17	33711	..Fitting Assembly	1	
-18	33083	..Bracket, Pulley	1	
		-ATTACHING PARTS-		
-19	50000	Bolt, AN3-4	5	
	58740	Washer, AN960-10	5	
	55599	Nut, MS20365-1032	5	
		----*----		
-	33701	.Bulkhead Assembly, Station 197.75	1	
-20	33749	..Frame Bulkhead, Station 197.75	1	
-21	33766	..Fitting Assembly	1	
		-ATTACHING PARTS-		
-22	50001	Screw, AN3-4A	6	
	58740	Washer, AN960-10	6	
	55599	Nut, MS20365-1032	6	
		----*----		
-23	33768	..Pulley Bracket Assembly	1	
		-ATTACHING PARTS-		
-24	68086	Screw, NAS221-6	3	
	58740	Washer, AN960-10	3	
	55599	Nut, MS20365-1032	3	
		----*----		
-25	33709	..Skin Support Frame	1	
-26	33030	.Cover, Inspection	1	
		-ATTACHING PARTS-		
-27	56611	Screw, AN526-632R5	4	
		----*----		

- Indicates Not Illustrated



**FIGURE 6**

*Illustrated Parts Catalog*

Albany Plant

One Rockwell Avenue

Albany, Georgia 31702 • 912/435-6161

Cable Address: AEROCOM-Albany

FIG. & INDEX	PART NUMBER	NOMENCLATURE	NO. REQ.	EFFECTIVE SERIALS
6-				
-28	33710	.Tail Skin Assembly	1	
-29	33029	.Cover, Inspection	1	
-30	56834	-ATTACHING PARTS- Screw, AN526-8R6 ----*----	8	
-	33700	.Bulkhead Assembly, Station 187.703	1	
-31	33053	..Frame, Bulkhead, Station 187.703	1	
-32	33736	..Bracket	2	
-33	33734	..Bellcrank Assembly -ATTACHING PARTS-	1	
-34	50926	Bolt, AN4-10A	1	
	55549	Nut, MS20365-428	1	
	58760	Washer, AN960-416	1	
-35	50026	Bolt, AN3-5A	4	
	55599	Nut, MS20365-1032	4	
	58740	Washer, AN960-10 ----*----	4	
-36	58450	Grommet, AN931-4-7	1	
-	33078	.Assembly, Support	1	
-37	33079	..Support	1	
-38	61531	..Grommet, Strip - C.P. G51P-A	AR	
-	33012	.Bulkhead Assembly, Station 156.25	1	
-39	33041	..Frame, Bulkhead, Station 156.25	1	
-40	58500	..Grommet, AN931-9-13	1	
-	33011	.Bulkhead Assembly, Station 124.50	1	
-41	33077	..Frame, Bulkhead, Station 124.50	1	
-40	58500	..Grommet, AN931-9-13	1	
-42	33010	.Bulkhead, Station 92.00	1	
-	33034-1/2	.Assembly, Intercostal, L/H(-1), R/H(-2)	2	
-43	33047-1/2	..Intercostal, L/H(-1), R/H(-2)	2	
-44	33048	..Fitting	2	
-	33035	.Assembly, Intercostal	2	
-45	33049	..Intercostal	2	
-46	33050	..Fitting	2	
-47	33036	.Assembly, Intercostal	1	5001 - 5075
-48	68090	-ATTACHING PARTS- Screw, NAS221-10	2	
	55599	Nut, MS20365-1032	2	
	58740	Washer, AN960-10 ----*----	2	

- Indicates Not Illustrated

*Illustrated Parts Catalog*

Albany Plant  
 One Rockwell Avenue  
 Albany, Georgia 31702 • 912/435-6161  
 Cable Address: AEROCOM-Albany

FIG. & INDEX	PART NUMBER	NOMENCLATURE	NO. REQ.	EFFECTIVE SERIALS
6-				
-49	33032	.Stringer	1	5076&on
-50	33714	.Angle	2	
-51	33707-1/2	.Stringer, L/H(-1), R/H(-2)	2	
-52	33708	.Stringer	1	
-53	33706-1/2	.Stringer	2	
<u>FORWARD FUSELAGE WELDMENT</u>				
7-				
-	33007	Structure Assembly Cabin	1	
-1	33353	..Bracket Pulley	2	
-2	33361	..Guard	2	
-3	33254	..Patch	2	
-	33281	..Bushing Assembly	7	
-4	33362	...Tube	1	
-5	33363	...Washer	1	
-6	33251	..Gusset	2	
-7	33265	..Gusset	4	
-8	33276	..Support	2	
-9	35807	.Rudder Bellcrank Assembly	1	
-10	33756	.Support Assembly	1	
-11	33757	.Support Assembly	1	
		-ATTACHING PARTS-		
-12	50175	Bolt, AN3-13	2	
	68248	Screw, NAS43HT3-24	2	
	58740	Washer, AN960-10	2	
	54375	Nut, AN310-3	2	
	65745	Cotter, MS24665-132	2	
-13	51001	Bolt, AN4-13A	2	
	68251	Spacer, NAS43HT4-14	4	
	58760	Washer, AN960-416	2	
	55399	MS20365-428	2	
-14	50850	Bolt, AN4-5	4	
	58760	Washer, AN960-416	4	
	54400	Nut, AN310-4	4	
	65745	Cotter, MS24665-132	4	
-15	68251	Spacer, NAS43HT4-14	2	
	51000	Bolt, AN4-13	2	
	58760	Washer, AN960-416	2	
	54400	Nut, AN310-4	2	
	65745	Cotter, MS24665-132	2	
		---*---		

- Indicates Not Illustrated

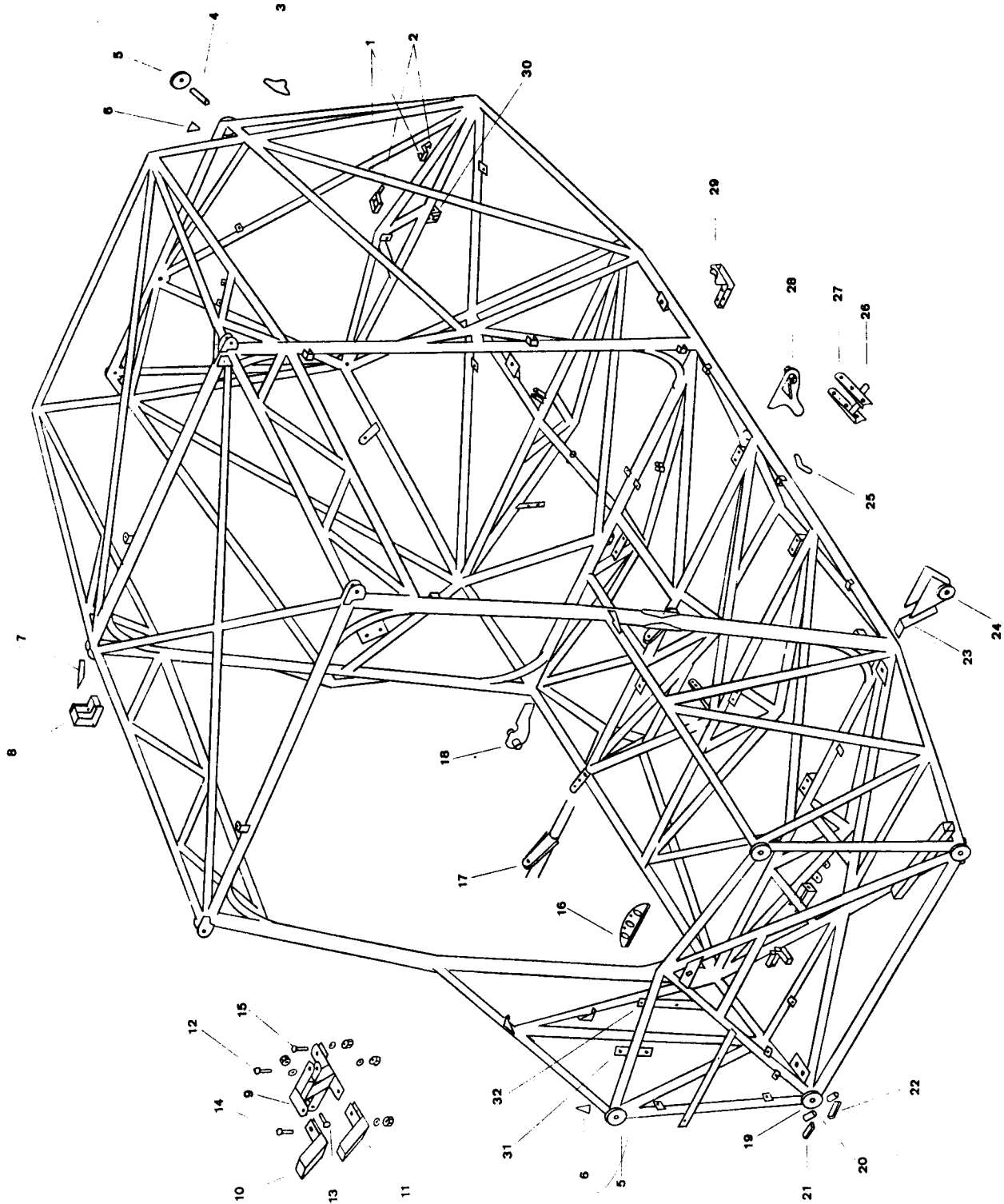


FIGURE 7

FORWARD FUSELAGE  
WELDMENT.  
LARK COMMANDER



*Illustrated Parts Catalog*

Albany Plant  
 One Rockwell Avenue  
 Albany, Georgia 31702 • 912/435-6161  
 Cable Address: AEROCOM-Albany

FIG. & INDEX	PART NUMBER	NOMENCLATURE	NO. REQ.	EFFECTIVE SERIALS
7-				
-16	33263	..Bracket	1	
-17	33337-1/2	..Bracket, Left (-1), Right (-2)	2	
-18	33231-1/2	..Tube, Left (-1), Right (-2)	2	
-19	33232	..Bushing Assembly	2	
-20	33273	..Tube	2	
-21	35272	..Patch	2	
-22	33271	..Patch	4	
-23	33262	..Strap	2	
-24	33261	..Washer	4	
-25	33270	..Patch	2	
-26	33323	..Bracket	2	
-27	33324	..Bracket	2	
-28	33229-1/2	..Support Assembly, Left (-1), Right (-2)	2	
-29	33356-1/2	..Bracket Assembly, Left (-1), Right (-2)	2	
-30	33355	..Bracket	1	
-31	33289	..Strap	1	
-32	33290	..Strap	1	
8-		<u>FIREWALL</u>		
-	36011	Firewall Assembly	1	
-1	36432	.Firewall	1	
-2	36452	.Bracket	1	
		-ATTACHING PARTS-		
-3	50000	Screw, AN3-4	2	
	54548	Nut, AN315-3	2	
	66135	Washer, MS35337-43	2	
		----*----		
✓ -	37509	.Valve Assembly ✓	1	
-4	37507	..Bracket	1	
		-ATTACHING PARTS-		
-5	50151	Bolt, AN3-12A	2	
	54548	Nut, AN315-3	2	
	66135	Washer, MS35337-43	2	
-6	50026	Bolt, AN3-5A	4	
	54548	Nut, AN315-3	4	
	66135	Washer, MS35337-43	4	
		----*----		
-7	33176	.Stiffener	1	
		-ATTACHING PARTS-		
-8	56613	Screw, AN525-10-22	2	

- Indicates Not Illustrated

*Illustrated Parts Catalog*

Albany Plant

One Rockwell Avenue

Albany, Georgia 31702 • 912/435-8181

Cable Address: AEROCOM-Albany

FIG. & INDEX	PART NUMBER	NOMENCLATURE	NO. REQ.	EFFECTIVE SERIALS
8-	55599	Nut, MS20365-1032 ----*----	2	
-9	36315	.Heater Outlet Assembly	1	
-10	36316	..Outlet Front	1	
-11	36252	..Adapter Assembly -ATTACHING PARTS-	1	
-12	50001	Bolt, AN3-4A	4	
	58750	Washer, AN960-10L	4	
	55599	Nut, MS20365-1032 ----*----	4	
-13	61574	Arens # MT342 Grommet Holder	2	
	36410	Grommet -ATTACHING PARTS-	3	
-	56845	AN526-1032-5 ----*----	3	
-14	57999	.Union, AN832-2 -ATTACHING PARTS-	1	
-	58781	Washer, AN960-516L	1	
-	58369	Nut, AN924-2 ----*----	1	
-15	61574	.Grommet Holder, Arens # MT340	5	
	36420	.Grommet	5	
	36421	.Grommet -ATTACHING PARTS-	5	
-	56845	Screw, AN526-1032-5 ----*----	10	
-16	63125	.Battery Solenoid - Prestolite 70-11226	1	
-17	63120	.Starter Solenoid - Delco 146A -ATTACHING PARTS-	1	
-	50826	Screw, AN4-4A	4	
-	55401	Nut, MS20365-428C	4	
-	58760	Washer, AN960-416 ----*----	4	
-	36433	.Battery Cradle Assembly	1	
-18	36406	..Hold Down Assembly -ATTACHING PARTS-	1	
-	55599	Nut, MS20365-1032	2	
-	58740	Washer, AN960-10 ----*----	2	
-19	36461	..Side Battery Cradle	1	

- Indicates Not Illustrated

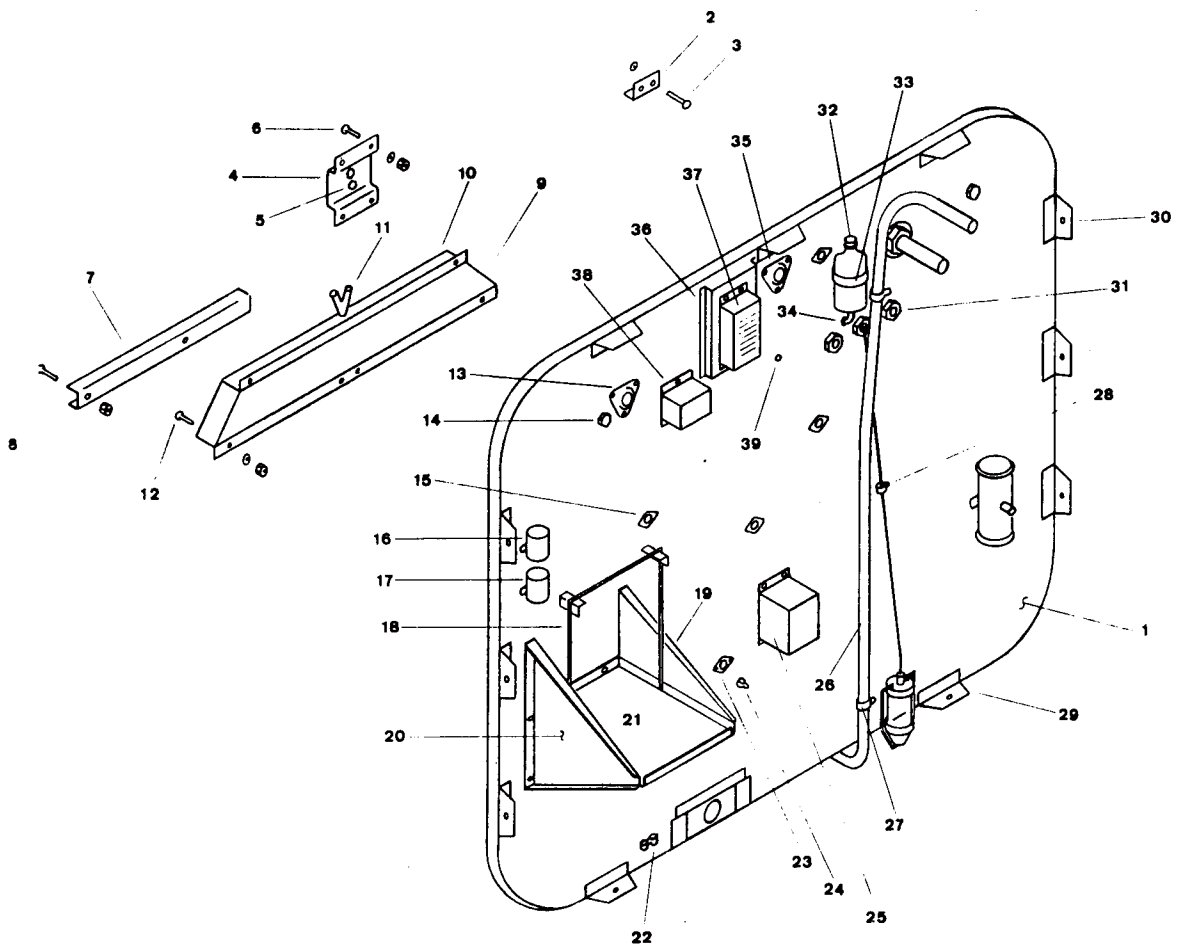


FIGURE 8

*Illustrated Parts Catalog*

Albany Plant

One Rockwell Avenue

Albany, Georgia 31702 • 912/435-8161

Cable Address: AEROCOM-Albany

FIG. & INDEX	PART NUMBER	NOMENCLATURE	NO. REQ.	EFFECTIVE SERIALS
8-				
-20	36459	..Side Battery Cradle	1	
-21	36458	..Platform Battery Cradle	1	
-	59689	-ATTACHING PARTS- Screw, AN526-1032-7	8	
-	55599	Nut, MS20365-1032	8	
-	58750	Washer, AN960-10L ----*----	8	
-22	57411	.Clamp, AN742-D10C -ATTACHING PARTS-	2	
-	56844	Screw, AN526-1032-8	1	
-	58750	Washer, AN960-10L ----*----	1	
-23	55599	Nut, MS20365-1032	1	
	58750	Washer, AN960-10L	2	
-24	57395	Clamp, AN742-D6C -ATTACHING PARTS-	2	
-	56844	Screw, AN526-1032-8	2	
-	58750	Washer, AN960-10L ----*----	2	
-25	36300	.Vent Duct Assembly -ATTACHING PARTS-	1	
-	56844	Screw, AN526-832-8	4	
-	58718	Washer, AN960-8	4	
-	55549	Nut, MS20365-832 ----*----	2	
-26	36453	.Oil Breather -ATTACHING PARTS-	1	
-27	57441	Clamp, AN742-D14C	2	
	56844	Screw, AN526-1032-8	2	
	58750	Washer, AN960-10L ----*----	2	
-28	57384	.Clamp, AN742-D2C -ATTACHING PARTS-	1	
-	56844	Screw, AN526-1032-8	1	
-	58750	Washer, AN960-10L	1	
-	55599	Nut, MS20365-1032 ----*----	1	
-29	36426	Bracket Assembly Cowl	6	
-30	36425	Bracket Assembly Cowl	5	
-31	57999	.Union, AN832-2	3	

- Indicates Not Illustrated

*Illustrated Parts Catalog*

Albany Plant  
 One Rockwell Avenue  
 Albany, Georgia 31702 • 912/435-6161  
 Cable Address: AEROCOM-Albany

FIG. & INDEX	PART NUMBER	NOMENCLATURE	NO. REQ.	EFFECTIVE SERIALS
8-		-ATTACHING PARTS-		
-	58781	Washer, AN960-516L	3	
-	58369	Nut, AN924-2	3	
		----*----		
-32	36442	.Reservoir Brake Fluid	1	
		-ATTACHING PARTS-		
-33	57464	Clamp, AN742D-32	1	
	56615	Screw, AN520-10-R8	1	
	58745	Washer, AN960-D10	1	
	55599	Nut, MS20365-1032	1	
-34	58390	Nut, AN924-4D	2	
	58800	Washer, AN960-716	2	
		----*----		
-35	61574	Grommet Holder, Arens # MT342	1	
	36409	Grommet	3	
		-ATTACHING PARTS-		
-	56845	Screw, AN526-1032-5	3	
		----*----		
-36	36419	.Assembly Bracket - Volt Regulator	1	
-37	63947	.Volt Regulator VSF 7201 9Z	1	
		-ATTACHING PARTS-		
-	56799	Screw, AN526-832-R10	4	
		----*----		
-38	63949	Voltage Control - X16799	1	
		-ATTACHING PARTS-		
-	56799	Screw, AN526-832-R10	2	
	58718	Washer, AN960-8	2	
	55335	Anc. Nut, AN362 F 832	2	
		----*----		
-39	50000	.Screw, AN3-4	1	
	58750	.Washer, AN960-10L	1	
	55599	.Nut, MS20365-1032	1	
9-		<u>INSTRUMENT PANEL</u>		
-	38269	Instrument Installation - Panel	1	
		-ATTACHING PARTS-		
-1	38273	Channel - Inst. Panel	1	
-2	38272	Channel - Inst. Panel	1	
-3	68185	Screw, NAS221-8	4	
	55549	Nut, MS20365-832	4	

- Indicates Not Illustrated

*Illustrated Parts Catalog*

Albany Plant  
 One Rockwell Avenue  
 Albany, Georgia 31702 • 912/435-6161  
 Cable Address: AEROCOM-Albany

FIG. & INDEX	PART NUMBER	NOMENCLATURE	NO. REQ.	EFFECTIVE SERIALS
9-	58718	Washer, AN960-8 ----*----	8	
-	38175	Stall Warning Horn, PA7733 - Delta Elect. -ATTACHING PARTS-	1	
-	56837	Screw, AN526-832-8	2	
	55549	Nut, MS20365-832	2	
	56680	Screw, AN526-632 R10	2	
	55377	Nut, MS20364-632 ----*----	2	
-4	61899	Tachometer, A.C. 64111D9	1	
-5	60874	Clock - Whitnauer #700-112	1	
-6	62185	Stall Warning Light #82-1312-0111-201	1	
-7	62231	Low Vacuum Warning Light # VM911M4	1	
-8	62231	High Vacuum Warning Light # VM911M4	1	
-9	63411	Master Switch 8142K21E6T50	1	
-10	63413	Fuel Pump Switch 8144K21A1P50 -ATTACHING PARTS-	1	
-11	56570	Screw, AN515-6R6 ----*----	16	
-12	38259	Placard, Operating Procedures	1	
-13	38243	Placard, Alternator -ATTACHING PARTS-	1	
-14	59671	Screw, AN530-4R4 ----*----	6	
-15	61106	Switch Plate Bendix 10-126676	1	
-16	63335	Ignition Switch, Bendix 10-357200-1	1	
-17	38282	Bracket-Ball Soc. Cont. Col. -ATTACHING PARTS-	4	
-18	68085	Screw, NAS220-8	4	
	55549	Nut, MS20365-832	4	
	58730	Washer, AN960-8 ----*----	AR	
-19	38240	Instrument Cluster **	1	5036&up
-20	63410	Navigation Light Switch #8142K21E6P50	1	
-21	63413	Beacon Switch #8144K21A1P50	1	
-22	63413	Land Light Switch #8144K21A1P50	1	
-23	62641	Rheostat #0110	1	
-24	62556	Primer - Kohler K-2403-2	1	
-25	60926	Carb. Heat - Shakespeare 3A1514	1	
-26	61057	Throttle - Arens 252-001-21	1	

\*\* - Indicates Not Illustrated  
 0191040

Cluster Assembly

1 5001-5035

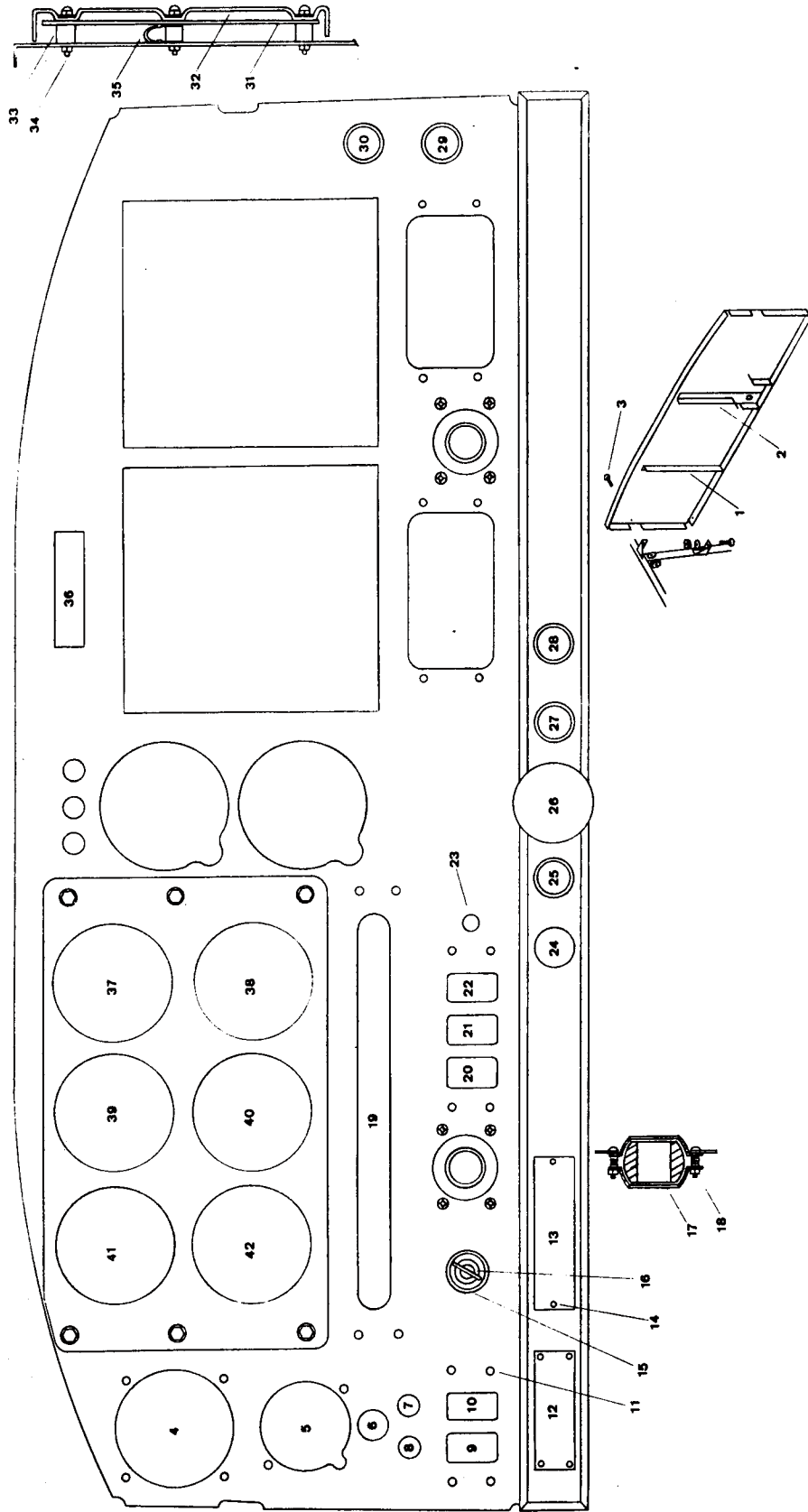


FIGURE 9

*Illustrated Parts Catalog*

Albany Plant  
 One Rockwell Avenue  
 Albany, Georgia 31702 • 912/435-8161  
 Cable Address: AEROCOM-Albany

FIG. & INDEX	PART NUMBER	NOMENCLATURE	NO. REQ.	EFFECTIVE SERIALS
9-				
-27	61053	Mixture - Arens 21-006-199	1	
-28	61058	Park Brake - Shakespeare #3A1514	1	
-29	62173	Cigarette Lighter - Caso L-14023	1	
-30	60926	Cabin Heat - Shakespeare 3A1514	1	
-31	38268	Instrument Inst., Sub Panel	1	
-32	38283	Cover, Sub Panel	1	
		-ATTACHING PARTS-		
-33	62991	Shock Mount - U.S. Royal #301-A-1250	6	
-34	54999	Nut, AN340-8	6	
	58623	Washer, AN936-B8	6	
	65791	Acorn Nut, 8-32, McM #70B77	6	
	58567	Washer, AN935-8	6	
		---*---		
-35	38216	Wire-Sub Panel to Panel Gnd.	1	
-36	38242	Registration Placard	1	
-37	61783	Altimeter - Karnish #700-256 (AC-157)	1	
-38	61840	Vertical Speed Indicator - SP-1403	1	
-39	61689	Gyro Horizon - SP7582	1	
-40	62019	Directional Gyro - SP7577	1	
-41	62018	Airspeed Indicator -.Aeromarine #544-B-2	1	
-42	61790	Turn Coordinator - Brittain #12W2D2A	1	
		-INSTRUMENT ATTACHING PARTS-		
-	56576	Screw, AN515B-6	21	
	55477	MS20365B-632	21	
		---*---		
10-		<u>FUSELAGE SKINS - FORWARD</u>		
-	33108	Bottom Skin Assembly	1	
-1	33117	.Rib	1	
-2	33145	.Doubler	1	
-3	33142	.Former	1	
-4	33141	.Bottom Skin	1	
-5	33143	.Former	1	
-6	33146	.Door	1	
		-ATTACHING PARTS-		
-7	56575	Screw, AN515-6-8	8	
		---*---		
-8	33122	Channel	1	
-9	33133-1/2	Fairing, Left (-1), Right (-2)	2	
-	33130-1/2	Cable Fairing Assembly, Left (-1), Right (-2)	2	
-10	33138-1/2	.Former, Left (-1), Right (-2)	2	

- Indicates Not Illustrated



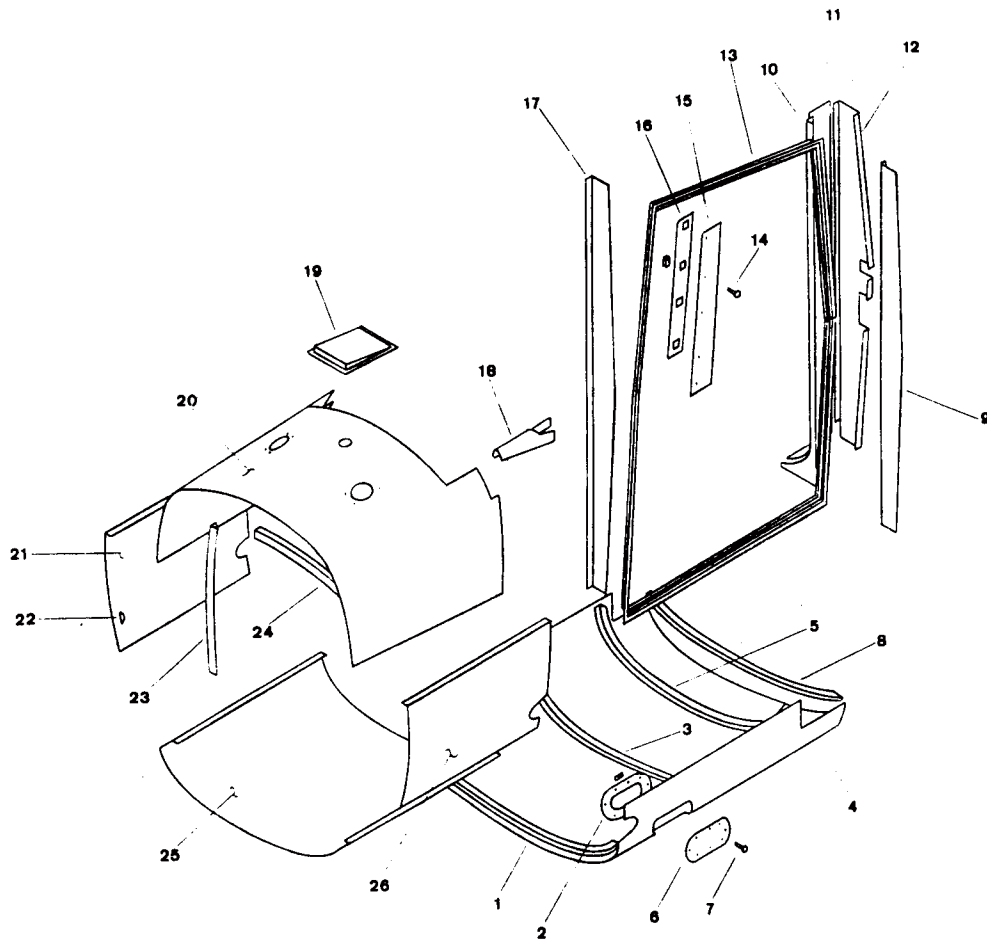


FIGURE 10

23

FUSELAGE SKINS  
FORWARD.  
LARK COMMANDER

*Illustrated Parts Catalog*

Albany Plant

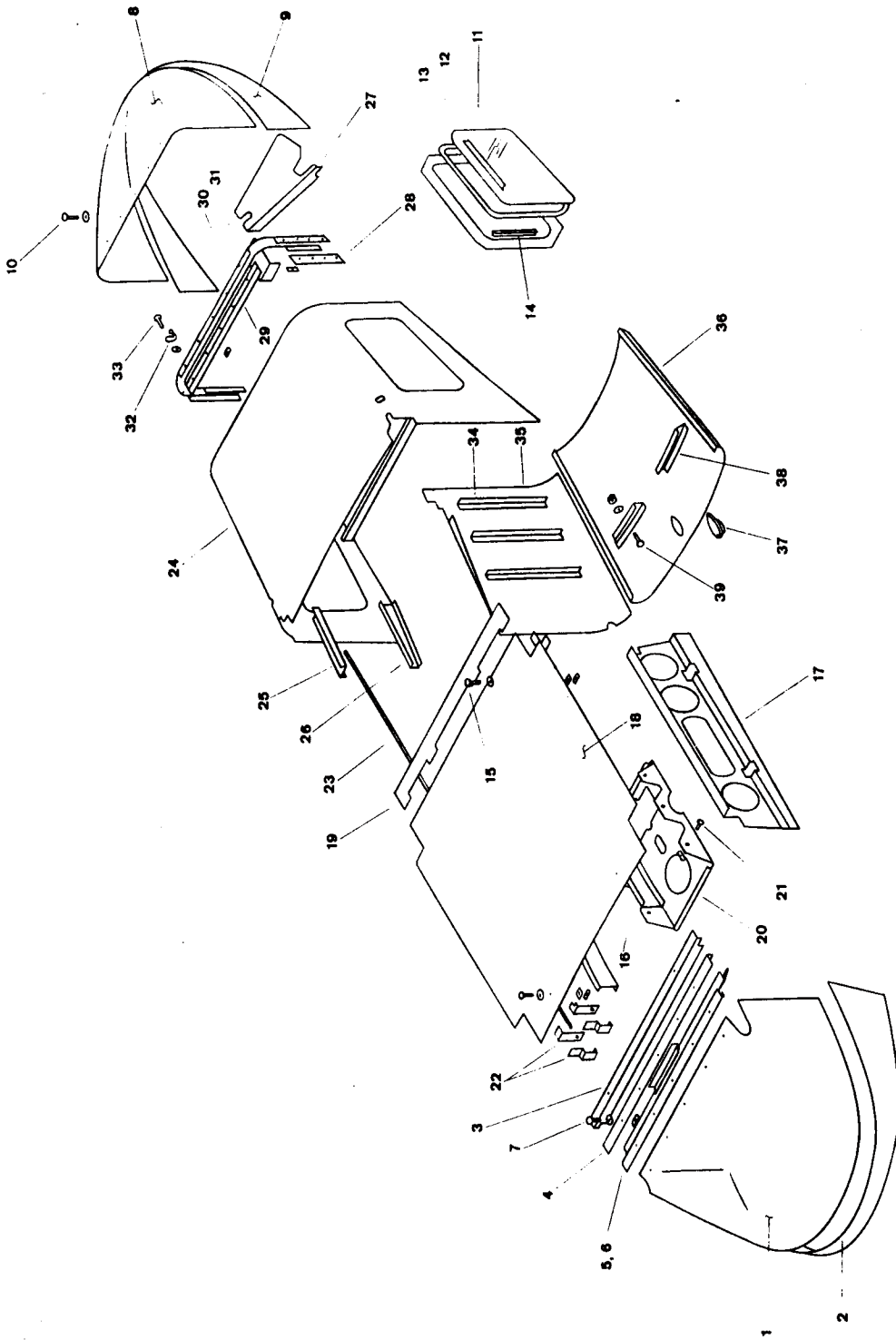
One Rockwell Avenue

Albany, Georgia 31702 • 912/435-6161

Cable Address: AEROCOM-Albany

FIG. & INDEX	PART NUMBER	NOMENCLATURE	NO. REQ.	EFFECTIVE SERIALS
10-				
-11	33139	.Skin	1	
-12	33140	.Former	1	
-13	33099-1/2	Door Jamb Assembly	2	
-14	33791-1/2	Fairing, Left (-1), Right (-2)	2	
-15	33789-1/2	Fairing, Left (-1), Right (-2)	2	
		-ATTACHING PARTS-		
-16	59456	Nut, Tinnerman A1789-8Z-1	8	
	58719	Washer, AN960-8L	10	
	59200	Screw, PK76xZ-8-8	10	
		----*----		
-17	33131-1/2	Fairing, Left (-1), Right (-2)	2	
-18	33119-1/2	Moulding, Left (-1), Right (-2)	2	
-19	33897	Compass Bracket	1	
-20	33170	Deck Skin	1	
-21	33172	Lower Skin	1	
-22	33171	Cover	1	
-23	33113-1/2	Stiffener	2	
-24	33118	Rib	1	
-25	33166	Bottom Skin	1	
-26	33165	Lower Skin	1	
11-		<u>WINDSHIELD &amp; FUSELAGE SKINS - AFT</u>		
-1	33792	Front Windshield	1	
		-ATTACHING PARTS-		
-	95228	Seal Tape - Presstite 590.5	AR	
-2	33790	Retainer, Front Windshield	1	
-	33795	Retainer, Attach. Assembly	1	
-3	33150	.Angle	1	
-4	33151	.Angle	1	
-5	33798	.Cover, Sunvisor Support	1	
-6	33796	.Bracket Assembly, Sunvisor	1	
-7	56606	Screw, AN526-10 R10	5	
	58750	Washer, AN960-10L	5	
		----*----		
-8	33895	Rear Windshield	1	
		-ATTACHING PARTS-		
-9	33896	Retainer, Rear Windshield	1	
-10	56850	Screw, AN526-1032-R8	13	
	58750	Washer, AN960-10L	13	
		----*----		

- Indicates Not Illustrated



**FIGURE 11**

WINDSHIELD AND  
FUSELAGE SKINS-AFT.  
LARK COMMANDER

*Illustrated Parts Catalog*

Albany Plant  
 One Rockwell Avenue  
 Albany, Georgia 31702 • 912/435-8181  
 Cable Address: AEROCOM-Albany

FIG. & INDEX	PART NUMBER	NOMENCLATURE	NO. REQ.	EFFECTIVE SERIALS
11-				
-11	33136	Side Window, Aft	2	
-12	95228	Seal Tape - Presstite 590.5	AR	
-13	33137-1/2	Window Frame Assy., Left (-1), Right (-2)	2	
-14	33160	Rubber	2	
-	33107	Forward Cabin Roof Assembly	1	
		-ATTACHING PARTS-		
-15	56598	Screw, AN520-10-5	4	
	58630	Washer, AN936-A10W	4	
	59521	Nut Plate, Esna RM52LHA4972-10-02	4	
		---*---		
-16	33147-1/2	.Stiffener, Left (-1), Right (-2)	2	
-17	33154-1/2	.Rib Panel, Left (-1), Right (-2)	2	
-18	33149	.Top Skin	1	
-19	33153	.Stiffener	1	
-	38291	Panel, Radio Spkr. Install.	1	
-20	38290	.Panel, Radio Speaker Assembly	1	
		-ATTACHING PARTS-		
-21	59680	Screw, AN530-8-10	6	
	59457	Nut, Tinnerman A1789-8Z-1E	6	
		---*---		
-22	31422	Clip Assembly	2	
-23	31424	Rod, Interior	1	
-	33110	Rear Cabin Assembly	1	
-24	33135	.Top Skin	1	
-25	33123	.Channel	1	
-26	33129	.Rib	1	
-27	33124-1/2	Fairing, Left (-1), Right (-2)	2	
-	33128	Rear Frame Assembly	1	
-28	33157	.Flange	1	
-29	33158	.Flange	1	
-30	33156	.Frame	1	
-31	31402	Angle Rear Deck	1	
		-ATTACHING PARTS-		
-	68049	Screw, NAS385-6-6	6	
	68230	Washer, NAS391-6	6	
		---*---		
-32	1760E3	Hook - McMaster	1	
		-ATTACHING PARTS-		
-33	56545	Screw, AN507-632-R6	2	
	58621	Washer, AN936-B6	2	
		---*---		

- Indicates Not Illustrated

**SPARE**

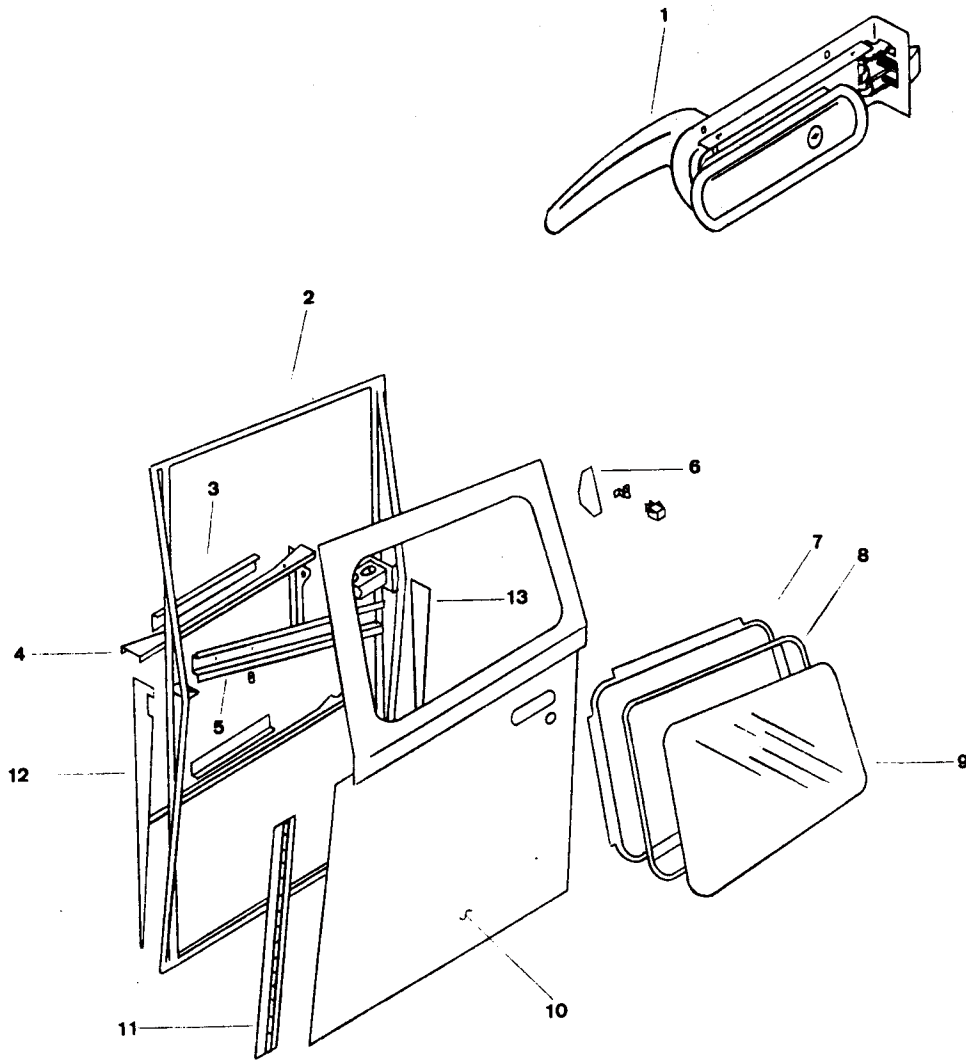


FIGURE 12

28

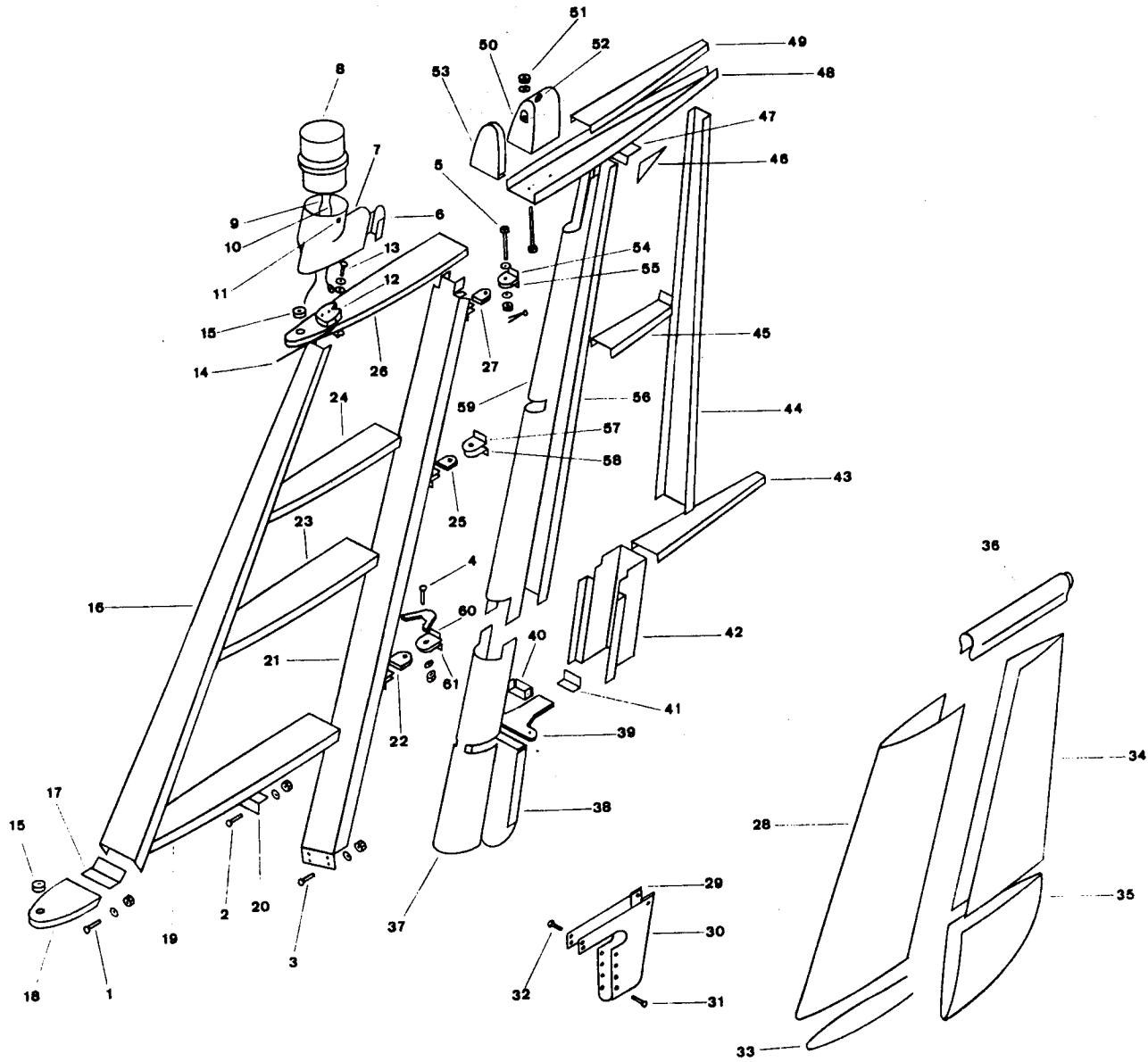
CABIN DOORS.  
LARK COMMANDER

*Illustrated Parts Catalog*

Albany Plant  
 One Rockwell Avenue  
 Albany, Georgia 31702 • 912/435-8161  
 Cable Address: AEROCOM-Albany

FIG. & INDEX	PART NUMBER	NOMENCLATURE	NO. REQ.	EFFECTIVE SERIALS
11-				
-34	33115-1/2	Stiffener, Left (-1), Right (-2)	2	
-35	33111-1/2	Cabin Skin, Left (-1), Right (-2)	2	
-	33167	Lower Skin Assembly	1	
-36	33126	.Skin	1	
-37	33127	.Cover	1	
-38	33120	.Stiffener	2	
-39	56615	-ATTACHING PARTS- AN520B-10R8	4	
	58750	AN960-10L Washer	4	
	55599	Nut, MS20365-1032	4	
		---*---		
12-		<u>CABIN DOOR</u>		
-	33400-3/4	Door Assembly, Left (-3), Right (-4) -ATTACHING PARTS-	2	
-	56651	Screw, AN526-6R8	9	
-	56625	Screw, AN526-6R6	2	
		---*---		
-1	62266	.Door Latch, Decker #1040-B (1½") -ATTACHING PARTS-	1	
-	59656	AN520-10R-8	4	
		---*---		
-2	33402-3/4	.Door Frame Assembly, Left (-3), Right (-4)	2	
-3	33407	.Attach Angle	1	
-4	33440	.Door Stiffener	1	
-5	33420	.Arm Rest Support Assembly	1	
-6	33414	.Stop	1	
-	33412-1/2	.Moulding Assembly, Left (-1), Right (-2)	2	
-7	33447-1/2	..Moulding, Left (-1), Right (-2)	2	
-8	33448	..Moulding	1	
-9	33411	.Window	1	
-10	33450-1/2	.Skin, Door	2	
-11	33415-1/2	.Door Hinge Assembly	2	
-12	31312	Close-Out, Door	1	
-13	31313	Doubler, Door	1	

- Indicates Not Illustrated



**FIGURE 13**



*Illustrated Parts Catalog*

Albany Plant  
 One Rockwell Avenue  
 Albany, Georgia 31702 • 912/435-8161  
 Cable Address: AEROCOM-Albany

FIG. & INDEX	PART NUMBER	NOMENCLATURE	NO. REQ.	EFFECTIVE SERIALS
13-		<u>FIN AND RUDDER</u>		
-	34010	Vertical Stabilizer Assembly	1	
		-ATTACHING PARTS-		
-1	50851	Bolt, AN4-5A	4	
	58770	Washer, AN960-416L	4	
	55399	Nut, MS20365-428	4	
-2	50003	Bolt, AN3-3A	2	
	58750	Washer, AN960-10L	2	
	65076	Nut, MS20365-1032	2	
-3	50003	Bolt, AN3-3A	4	
	58750	Washer, AN960-10L	4	
	65076	Nut, MS20365-1032	4	
-4	50928	Bolt, AN4-C10A	1	
	55399	Nut, MS20365-428	1	
-5	50027	Bolt, AN3-C5A	2	
	65076	Nut, MS20365-1032	2	
		----*----		
-6	34188	.Rear Cover	1	
-	34156	.Fairing Assembly	1	
-7	34187	..Fairing	1	
-8	38226	..Beacon Assembly	1	
-9	38163	..Wire - Wire 38162 to Rotating Beacon	1	
-10	38164	..Wire - Rot. Beacon to Stab. Gnd.	1	
		-ATTACHING PARTS-		
-11	59678	Screw, AN530-6-8	3	
	66133	Washer, MS35337-41L	3	
	58720	Washer, AN960-6	3	
		----*----		
-12	38324	.Base Block - Nav - Ant.	1	
		-ATTACHING PARTS-		
-13		Screw, AN520-10R-20	2	
	58750	Washer, AN960-10L	2	
		----*----		
-14	80036	.Melco Ant. - 1050	1	
-15	58500	.AN931-9-13 Grommet	2	
-	34152	.Frame Assembly - Vert. Stab.	1	
-16	34157	..Leading Edge Spar	1	
-17	34158	..Angle	1	
-18	34163	..Rib - Vert. Stabilizer Station 0.00	1	
-19	34164	..Rib - Vert. Stabilizer Station 0.0	1	
-20	34160	..Clip	1	

- Indicates Not Illustrated

*Illustrated Parts Catalog*

Albany Plant

One Rockwell Avenue

Albany, Georgia 31702 • 912/435-6161

Cable Address: AEROCOM-Albany

FIG. & INDEX	PART NUMBER	NOMENCLATURE	NO. REQ.	EFFECTIVE SERIALS
13-				
-21	34167	..Rear Spar	1	
-22	34168	..Hinge Assembly - Vert. Stab. Station 1.95	1	
-23	34159	..Rib - Vert. Stab. Station 13.0	1	
-24	34162	..Rib - Vert. Stab. Station 27.00	1	
-25	34169	..Hinge Assembly - Vert. Stab. Station 26.850	1	
-26	34161	..Rib Assembly	1	
-27	34170	..Hinge Assembly - Vert. Stab. Station 54.10	1	
-28	34151	.Leading Edge Skin	1	
-29	34368	Clip	2	
-30	34367	Fairing	1	
		-ATTACHING PARTS-		
-31	59165	Screw, PK # 4-4	14	
-32	59692	Screw, AN530-6-4	4	
	59448	Nut - Tinn., Al-804-62-16	4	
-33	40176	Weather Stripping - S.A. 432	AR	
		----*----		
-	34012	Rudder Assembly	1	
-34	34073	.T.E. Skin, Rudder	1	
-35	34083	.Tail Cone	1	
-36	34082	.Rudder Cap and Light Assembly	1	
-37	34086	.Rudder Closure	1	
-38	34084	.Rudder Bulkhead	1	
-39	34076	.Rudder Bracket	1	
-40	34075	.Rudder Angle	1	
-41	34078	.Rudder Angle	1	
-42	34077	.Rudder Torque Box	1	
-43	34062	.Rudder Rib	1	
-44	34064	.Rudder Aft Spar	1	
-45	34061	.Rudder Rib	1	
-46	34085	.Rudder Gusset	2	
-47	34072	.Rudder Angle	1	
-48	34067	.Rudder Rib	1	
-49	34079	.Stiffener Assembly	1	
-50	34081	.Rudder Counter Weight	1	
		-ATTACHING PARTS-		
-51	50376	Bolt, AN3-23A	1	
	58750	Washer, AN960-10L	1	
	55379	Nut, MS20364-1032	1	
-52	50556	Bolt, AN3-40A	1	
	58750	Washer, AN960-10L	1	
	55379	Nut, MS20364-1032	1	
		----*----		

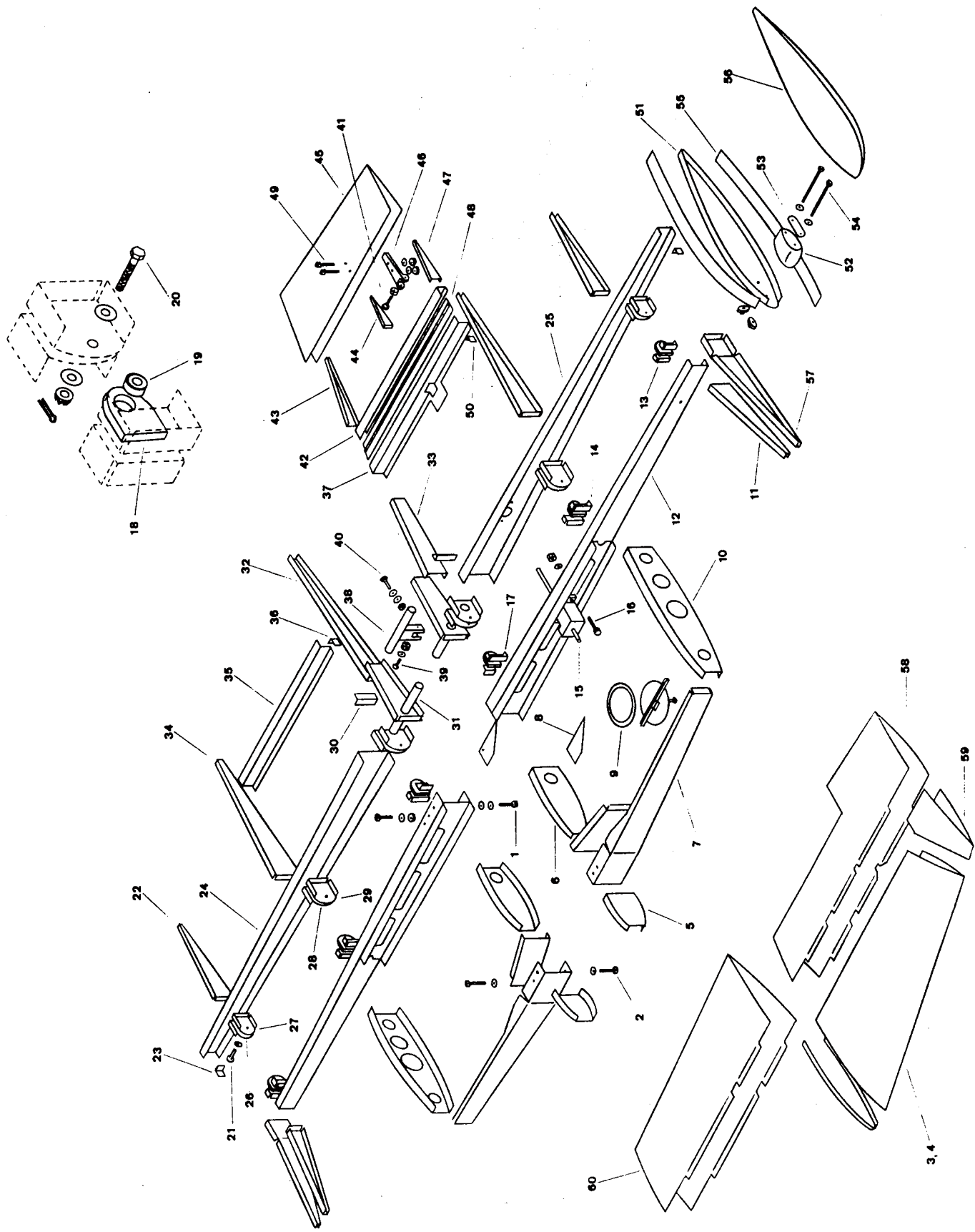
- Indicates Not Illustrated

*Illustrated Parts Catalog*

Albany Plant  
 One Rockwell Avenue  
 Albany, Georgia 31702 • 912/435-8161  
 Cable Address: AEROCOM-Albany

FIG. & INDEX	PART NUMBER	NOMENCLATURE	NO. REQ.	EFFECTIVE SERIALS
13-				
-53	34088	.Rudder Closing Cap Bulkhead	1	
-54	34065	.Rudder Hinge	1	
-55	34066	.Rudder Hinge	1	
-56	34063	.Rudder Forward Spar	1	
-57	34067	.Rudder Hinge	1	
-58	34068	.Rudder Hinge	1	
-59	34074	.Skin Rudder	1	
-60	34070	.Rudder Hinge	1	
-61	34069	.Rudder Hinge	1	
14-		<u>HORIZONTAL STABILIZER AND ELEVATOR</u>		
-	34003	Horizontal Stabilizer Assembly - L/H	1	
-	34005	Horizontal Stabilizer Assembly - R/H	1	
		-ATTACHING PARTS-		
-1	68199	Screw, NAS222-10	12	
	55399	Nut, MS20365-428	12	
	58772	Washer, AN960-416L	AR	
-2	68190	Screw, NAS221-9	8	
	58750	Washer, AN960-10L	AR	
	55624	Nut, AN366F-1032	8	
		---*---		
-3	34200	.Skin, Horizontal Stabilizer L/H	1	
-4	34208	.Skin, Horizontal Stabilizer R/H	1	
-5	34203	.Nose Rib, Butt. Horizontal Stabilizer	2	
-6	34204	.Butt Rib, Horizontal Stabilizer	2	
-7	34202	.Front Spar Assembly Stab.	2	
-8	34240	.Doubler	2	
-9	34205	.Doubler, Circular	1	
-10	34201	.Stab. Rib, Sta. 30	2	
-11	34206	.Rib Horiz. Stab. Sta. 55.60	2	
-	34209	.Spar Assembly, Horiz. Stab. L/H	1	
-	34210	.Spar Assembly, Horiz. Stab. R/H	1	
-12	34211	.Rear Spar, Horiz. Stab.	2	
-13	34215	..Hinge Assembly, Horiz. Stab. Sta. .50	2	
-14	34214	..Hinge Assembly, Horiz. Stab.	2	
-15	35020	..Actuator Assembly, Tab	1	
		ATTACHING PARTS-		
-16	50076	Bolt, AN3-7A	2	
	58740	Washer, AN960-10	2	

- Indicates Not Illustrated



**FIGURE 14**

HORIZONTAL STAB.  
AND ELEVATOR.  
LARK COMMANDER

*Illustrated Parts Catalog*

Albany Plant  
 One Rockwell Avenue  
 Albany, Georgia 31702 • 912/435-6161  
 Cable Address: AEROCOM-Albany

FIG. & INDEX	PART NUMBER	NOMENCLATURE	NO. REQ.	EFFECTIVE SERIALS
	58750	Washer, AN960-10L	2	
	55399	Nut, MS20365-1032	2	
		----*----		
-17	34213	..Hinge Assembly, Horizontal Stabilizer	2	
-18	34126	..Hinge Plate Assembly	9	
-19	54246	...Bearing, Fafnir # K53L	9	
		-ATTACHING PARTS-		
-20	50027	Bolt, AN3-C5A	6	
	55599	Nut, MS20365-1032	6	
		----*----		
-	34014-1/2	Elevator Assembly, Left (-1), Right (-2)	2	
		-ATTACHING PARTS-		
-21	50027	Bolt, AN3-C5A	6	
	55599	Nut, MS20365-1032	6	
-22	34303	.Rib, Elev. B.L. 47.5	1	
-23	34309	.Clip	1	
-	34341	.Spar Assembly, Elev. R/H	1	
-	34337	.Spar Assembly, Elev. L/H	1	
-24	34346	..Spar, Elev. R/H	1	
-25	34343	..Spar, Elev. L/H	1	
-26	34322	...Hinge, Elev. Sta. .50	2	
-27	34323	...Hinge, Elev. Sta. .50	2	
-28	34320	...Hinge, Elev. Sta. .30	2	
-29	34321	...Hinge, Elev. Sta. .30	2	
-30	34344	...Clip, Elev.	2	
-31	34345	...Horn Assembly, Elev.	1	
-32	34318	...Rib, Butt, Elev. R/H	1	
-33	34316	...Rib, Butt, Elev. L/H	1	
-34	34304	.Rib, Elev. B.L. 31.63	2	
-35	34342	.Spar, Elev. R/H	1	
-36	34338	.Clip, Elev. R/H	1	
-37	34339	.Tab, Spar Elev. L/H	1	
-38	34366	Weld Assembly	1	
		-ATTACHING PARTS-		
-39	51026	Bolt, AN4-14A	1	
	55399	Nut, MS20365-428	1	
	58760	Washer, AN960-416	1	
	68251	Spacer, NAS43-HT-14	2	
-40	68160	Screw, NAS221-26	2	
	58740	Washer, AN960-10	2	
	55599	Nut, MS20365-1032	2	
		----*----		

- Indicates Not Illustrated

*Illustrated Parts Catalog*

Albany Plant  
 One Rockwell Avenue  
 Albany, Georgia 31702 • 912/435-6161  
 Cable Address: AEROCOM-Albany

FIG. & INDEX	PART NUMBER	NOMENCLATURE	NO. REQ.	EFFECTIVE SERIALS
14-				
-	34336	.Elevator Tab Assembly	1	
		-ATTACHING PARTS-		
-41	50125	Bolt, AN3-11	1	
	65745	Pin, MS24665-132	1	
	54375	Nut, AN310-3	1	
	58740	Washer, AN960-10	3	
		----*----		
-42	34348	..Spar, Trim Tab	1	
-43	34353	..Rib, Trim Tab	1	
-44	34352	..Rib, Trim Tab	1	
-45	34347	..Skin, Elev. Tab	1	
-46	34369	..Horn Tab, Elev.	1	5006&up
-	34356	..Horn	1	5001 thru 5005
-47	34351	..Rib, Tab. Elev.	1	
-48	34349	..Hinge, Tab, Elev.	1	
		-ATTACHING PARTS-		
-49	55549	Nut, AN365-832	2	
	68070	Bolt, NAS220-18	1	
	58735	Washer, AN960-PD8	2	
	68065	Bolt, NAS220-16	1	
		----*----		
-50	34307	.Clip	1	
-	34313	.Counter Bal. Assembly, Elev.	1	
-51	34325	..Rib Assembly, Elev. Sta. 57.06	2	
-52	34329	..Weight, Elev.	2	
-53	34328	..Doubler, Elev. Bal. Wt.	2	
		-ATTACHING PARTS-		
-54	51376	Bolt, AN4-30A	2	
	58760	Washer, AN960-416	2	
		----*----		
-55	34311	.Doubler, Elev.	1	
-56	34312	.Tip, Elev.	1	
-57	34310	.Rib, Tip, Elev.	1	
-58	34335	.Skin, Elev. L/H	1	
-59	34308	.Skin Tip, Elev.	1	
-60	34340	.Skin, Elev. R/H	1	

- Indicates Not Illustrated

*Illustrated Parts Catalog*

Albany Plant  
 One Rockwell Avenue  
 Albany, Georgia 31702 • 912/435-6161  
 Cable Address: AEROCOM-Albany

FIG. & INDEX	PART NUMBER	NOMENCLATURE	NO. REQ.	EFFECTIVE SERIALS
15-		<u>WINGS</u>		
-1	32001-1	Wing Assembly, Left, Complete	1	
	32001-2	Wing Assembly, Right, Complete	1	
		-ATTACHING PARTS-		
-2	54244	Bolt, AN177-22A	1	
	58800	Washer, AN960-716	2	
	55499	Nut, AN365-720	1	
-3	54227	Bolt, AN175-21A	1	
	58780	Washer, AN960-516	2	
	55424	Nut, AN365-524	1	
		---*---		
-	32243	.Spar Assembly - Wing Front L/H	1	
-	32043	.Spar Assembly - Wing Front R/H	1	
-4	32115	..Fitting - Wing Front Spar Aft	1	
-5	32114	..Fitting - Wing Front Spar Forward	1	
		-ATTACHING PARTS-		
-6	50974	Bolt, AN4-12A	1	
	58772	Washer, AN960-416L	1	
	58771	Washer, AN960-416	1	
	55399	Nut, AN365-428	1	
	50151	Bolt, AN3-12A	4	
	58740	Washer, AN960-10	8	
	55599	Nut, AN365-1032	4	
		---*---		
-7	32111	..Stiffener	3	
-8	32108	..Doublers - Wing Front Spar	1	
-9	32109	..Web - Wing Front Spar	1	
-10	32213	..Doublers	1	
-11	32237	..Doublers Pitot	1	
-12	32112	..Doublers, Wing Front Spar	1	
-13	66176	..Grommet, MS35489-64	1	
-14	32230-1	..Stiffener - Left Spar	1	
	32230-2	..Stiffener - Right Spar	1	
-15	32234	..Cap - Wing Front Spar	1	
-16	32117	..Cap	1	
-17	32110	..Web	1	
-18	32235	..Cap	2	
-19	32226-1	..Wing Upper Strut, Left	1	
	32226-2	..Wing Upper Strut, Right	1	

- Indicates Not Illustrated

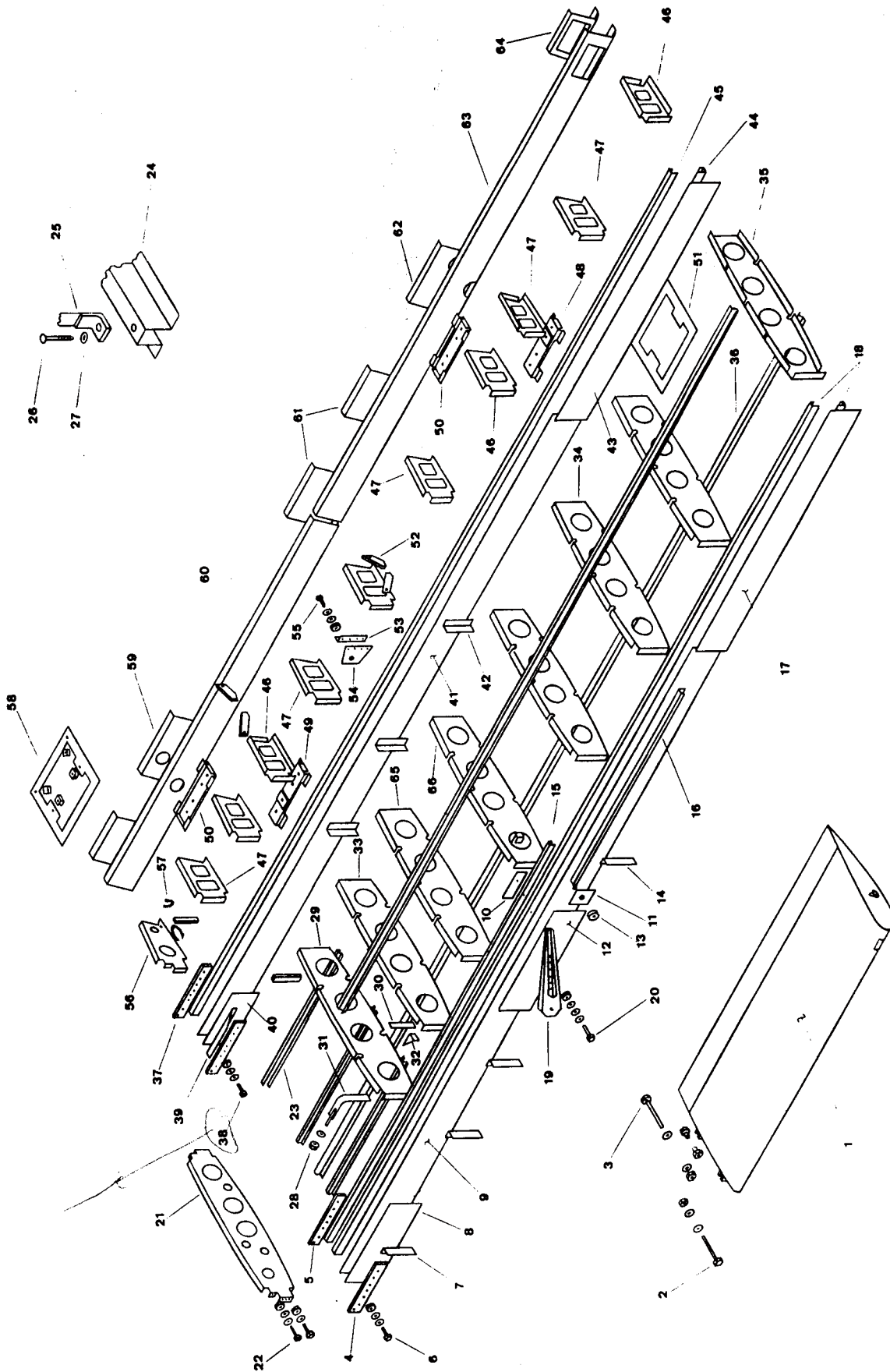


FIGURE 15



*Illustrated Parts Catalog*

Albany Plant  
 One Rockwell Avenue  
 Albany, Georgia 31702 • 912/435-8161  
 Cable Address: AEROCOM-Albany

FIG. & INDEX	PART NUMBER	NOMENCLATURE	NO. REQ.	EFFECTIVE SERIALS
15-		-ATTACHING PARTS-		
-20	50926	Bolt, AN4-10A	1	
	50902	Bolt, AN4-7A	6	
	58760	Washer, AN960-416	14	
	55399	Nut, AN365-428	7	
		----*----		
-21	32068-1	.Rib, Wing, Left	1	
	32068-2	.Rib, Wing, Right	1	
		-ATTACHING PARTS-		
-22	68090	Screw, NAS221-10	3	
-	68190	Screw, NAS221-9	3	
	58745	Washer, AN960D10	6	
	59526	Nut, E.S.N.A. Y92NM-02	6	
		----*----		
-23	32063	.Stringer, Wing	2	
-	32036	.Strap Fuel Tank	1	5001-5090
-	32037	.Strap Fuel Tank	1	5001-5090
		-ATTACHING PARTS-		
-	56920	Screw, AN526-1032-24	2	5001-5090
-	32064	Block, Strap Attach	2	5001-5090
-	58745	Washer, AN960D10	2	5001-5090
	55379	Nut, MS20364-1032	2	5001-5090
-	41600	Faying Tape - 3M #474	AR	
		----*----		
-24	32228	.Assembly, Stringer	1	5091&up
-25	32133	.Tank Strap Assembly	1	5091&up
		-ATTACHING PARTS-		
-26	50003	Bolt, AN3-3A	1	5091&up
-27	58740	Washer, AN960-10	1	5091&up
-28	55399	Nut, MS20365-428	1	5091&up
	58760	Washer, AN960-416	2	5091&up
		----*----		
-29	32074-1	Rib Assembly, W.S. 40.00, Left	3	
	32074-2	Rib Assembly, W.S. 40.00, Right	3	
-30	32034	.Doubler, Tank Strap	1	
-31	32139	.Assembly, Fuel Tank Strap	1	
-	32039	.Doubler, Tank Strap	1	5001-5090
-32	32246-1	.Clip	1	5001-5090
	32246-2	.Clip	1	5001-5090
-33	32223-1	.Rib, Left Wing	1	
	32223-2	.Rib, Right Wing	1	
-34	32229-1	.Rib, Left Wing	3	
	32229-2	.Rib, Right Wing	3	

- Indicates Not Illustrated

*Illustrated Parts Catalog*

Albany Plant  
 One Rockwell Avenue  
 Albany, Georgia 31702 • 912/435-8181  
 Cable Address: AEROCOM-Albany

FIG. & INDEX	PART NUMBER	NOMENCLATURE	NO. REQ.	EFFECTIVE SERIALS
15-				
-35	32229-2	.Rib, Left Wing	1	
	32229-1	.Rib, Right Wing	1	
-36	32119-1	..Stringer, Left Wing	6	
	32119-2	..Stringer, Right Wing	6	
-	32233-1	.Spar Assembly, Wing Rear, Left	1	
-	32233-2	.Spar Assembly, Wing Rear, Right	1	
-37	32102	..Fitting Wing Rear Spar	2	
		-ATTACHING PARTS-		
-38	50951	Bolt, AN4-11A	2	
	58770	Washer, AN960-416L	2	
	58760	Washer, AN960-416	2	
	55399	Nut, AN365-428	2	
	50126	Bolt, AN3-11A	5	
	58740	Washer, AN960-10	5	
	55599	Nut, AN365-1032	5	
		----*----		
-39	32258-1	..Stiffener, Wing Rear Spar, Left	1	5001-5090
	32258-2	..Stiffener, Wing Rear Spar, Right	1	5001-5090
-	32231	..Spacer, Wing Rear Spar	1	5091&up
-40	32095	..Doubler, Wing Rear Spar	1	
-41	32101	..Web, Wing Rear Spar	1	
-42	32100	..Angle	3	
-43	32155	..Web, Wing Rear Spar	1	
-44	32257	..Cap, Wing Rear Spar, Lower	1	
-45	32259	..Cap, Wing Rear Spar, Upper	1	
-46	32080-2	.Rib, Left Wing	3	
	32080-1	.Rib, Right Wing	3	
-47	32080-1	.Rib, Left Wing	7	
	32080-2	.Rib, Right Wing	7	
-48	32082-1	.Lower Bellcrank Bracket Assembly	1	
-49	32082-2	.Lower Bellcrank Bracket Assembly	1	
-50	32083	.Bracket, Upper Aileron Bellcrank	2	
-51	32038	.Doubler Inspection Door	1	
-52	32042	.Fairlead Aileron Cover	4	
-53	32099	.Angle	1	
-54	32060-1	.Clip Flap	1	
	32260-2	.Clip Flap	1	
		-ATTACHING PARTS-		
-55	50001	Bolt, AN3-4A	4	
	58740	Washer, AN960-10	4	
	55599	Nut, AN365-1032	4	
		----*----		

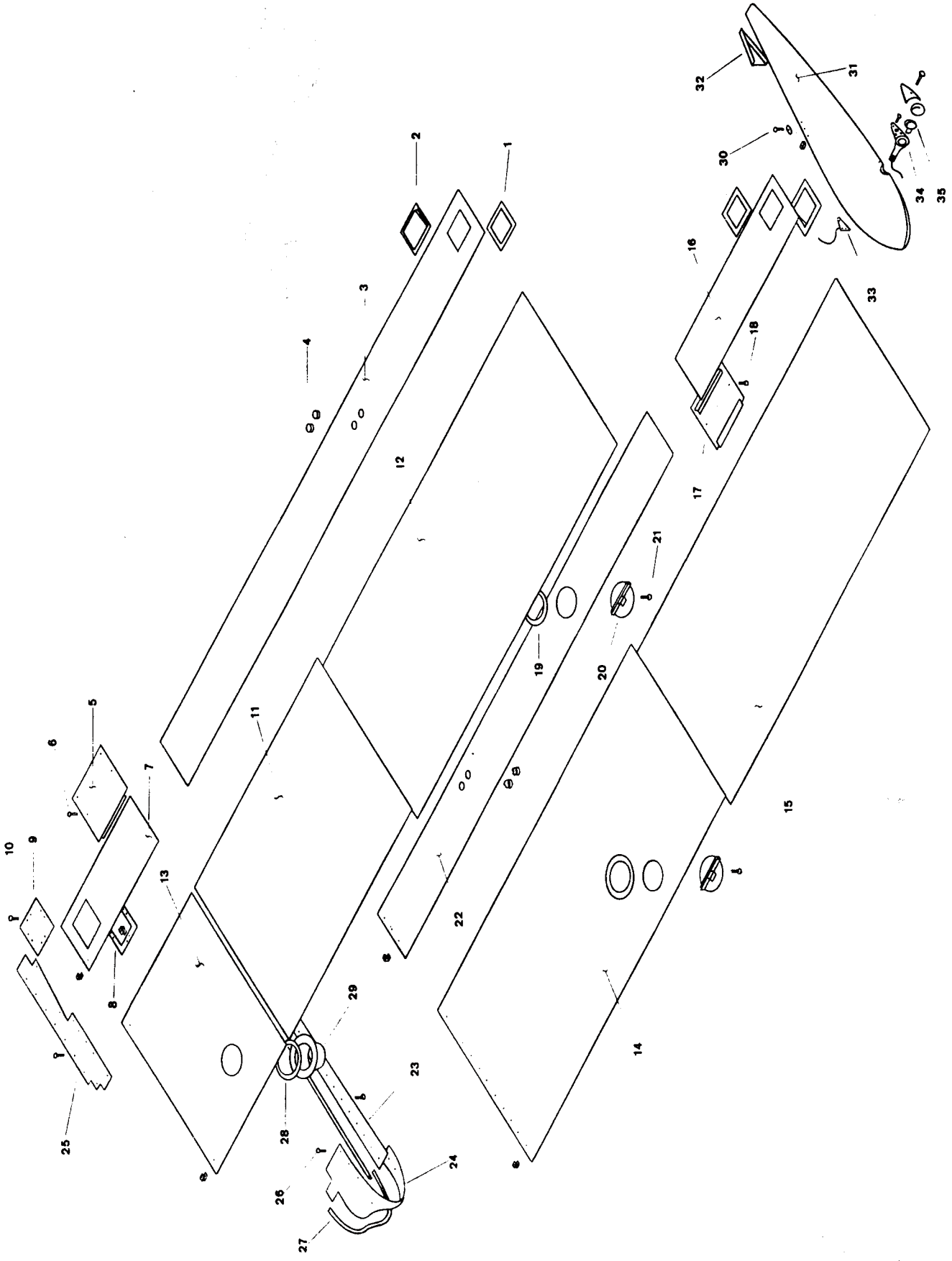
- Indicates Not Illustrated

*Illustrated Parts Catalog*

Albany Plant  
 One Rockwell Avenue  
 Albany, Georgia 31702 • 912/435-6161  
 Cable Address: AEROCOM-Albany

FIG. & INDEX	PART NUMBER	NOMENCLATURE	NO. REQ.	EFFECTIVE SERIALS
15-				
-56	32091-1	.Rib, Inboard Aft, Left	1	
	32091-2	.Rib, Inboard Aft, Right	1	
-57	61531	.Grommet Strip - Caterpillar G51P-A	AR	
-58	32050	.Doubler, Inspection Door	1	
-59	32025	.Doubler, Hinge Flap Center	1	
-60	32023-1	.Closure, Flap Cowl, Left	1	
	32023-2	.Closure, Flap Cowl, Right	1	
-61	32022	.Doubler, Flap Hinge	3	
-62	32019	.Doubler, Aileron Hinge Center	1	
-63	32020-1	.Closure, Aileron Cove	1	
	32020-2	.Closure, Aileron Cove	1	
-64	32021	.Doubler, Aileron Hinge, Outboard	1	
-65	32073-1	.Rib, Left	1	
	32073-2	.Rib, Right	1	
-66	32227-1	.Rib, W.S. 90.00, Left	1	
	32227-2	.Rib, W.S. 90.00, Right	1	
16-		<u>WING SKINS AND FAIRINGS</u>		
-1	32047	Doubler	2	
-2	32059	Cover Aileron Balance Weight	2	
-3	32048	Skin Wing Aft Outboard Top	1	
-4	62465	Plug Bottom - Auveco 5548143	4	
-5	32066	Door Assembly	1	
		-ATTACHING PARTS-		
-6	56935	Screw, AN530-6R8	4	
	59456	Nut - Tinn. A1789-8Z1	4	
		----*----		
-7	32221	Skin, Wing Aft Inboard Top	1	
-8	32040	Doubler	1	
-9	32060	Door Inspection	1	
		-ATTACHING PARTS-		
-10	56935	Screw, AN530-6R8	8	
	59456	Nut - Tinn. A1789- <del>8Z1</del> 8Z1	8	
		----*----		
-	32244-1	Skin Assembly, Top Left Wing	1	5076&up
-	32244-2	Skin Assembly, Top Right Wing	1	5076&up
-	32244-3	Skin Assembly, Top Left Wing	1	5001-5075
-	32244-4	Skin Assembly, Top Right Wing	1	5001-5075
-	32247-1/2	.Skin Inboard Top, Left (-1), Right (-2)	2	5076&up
-11	32247-3/4	.Skin Inboard Top, Left (-3), Right (-4)	2	5001-5075

- Indicates Not Illustrated



**FIGURE 16**

WING SKINS AND  
FAIRINGS.  
LARK COMMANDER

# Illustrated Parts Catalog

Albany Plant  
 One Rockwell Avenue  
 Albany, Georgia 31702 • 912/435-8181  
 Cable Address: AEROCOM-Albany

FIG. & INDEX	PART NUMBER	NOMENCLATURE	NO. REQ.	EFFECTIVE SERIALS
15-				
-12	32248-1/2	.Skin Outboard Top, Left (-1), Right (-2)	2	5076&up
-	32119-1	.Stringer, Left Assembly	3	5076&up
-	32119-2	.Stringer, Right Assembly	3	5076&up
-	32119-3	.Stringer, Left Assembly	3	5001-5075
-	32119-4	.Stringer, Right Assembly	3	5001-5075
-13	32275-1/2	Tank Cover Assembly, Left (-1), Right (-2)	2	5076&up
-	56846	-ATTACHING PARTS- Screw, AN526-832-R9 <i>NAS 228-9</i> ----*----	69	
-	32245-1	Skin Assembly, Bottom, Left Wing	1	5076&up
-	32245-2	Skin Assembly, Bottom, Right Wing	1	5076&up
-	32245-3	Skin Assembly, Bottom, Left Wing	1	5001-5075
-	32245-4	Skin Assembly, Bottom, Right Wing	1	5001-5075
-14	32249-1/2	.Skin, Center Inboard Bottom, Left (-1), Right (-2)	2	
-15	32250-1/2	.Skin, Center Inboard Bottom, Left (-1), Right (-2)	2	
-	32120-1/2	.Stringer, Left (-1), Right (-2)	2	5001-5075
-	32120-3/4	.Stringer, Left (-3), Right (-4)	2	5076&up
-16	32232	Skin - Wing Aft Outboard Bottom	1	
-17	32065	Door Assembly -ATTACHING PARTS-	1	
-18	56935	Screw, AN530-6R8	4	
	59456	Nut - Tinn. A1789-8Z-1 <i>Spring-0756002</i> <i>Stream drain S-1279-2</i> ----*----	4	
-19	32012	Doubler	3	
-20	31010	Cover Assembly - Inspection Door -ATTACHING PARTS-	3	
-21	56651	Screw, AN526-632R8 ----*----	3	
-22	32256	Skin Wing Aft Inboard Bottom	1	
-23	32044-1	Wing Band, Lower Left	1	
	32044-2	Wing Band, Lower Right	1	
-24	32039-1	Fairing, Wing, Left	1	
-	32039-2	Fairing, Wing, Right	1	
-25	32045-1	Fairing Wing T.E., Left	1	
-	32045-2	Fairing Wing T.E., Right -ATTACHING PARTS-	1	
-26	59200	Screw, PK 76xZ-8-8	44	
	59457	Nut - Tinn. A1789-8Z-1E	44	
-27	40176	Weatherstrip - S.A. 432	AR	
-	41600	Faying Tape - 3M 464 ----*----	AR	

- Indicates Not Illustrated

*Illustrated Parts Catalog*

Albany Plant  
 One Rockwell Avenue  
 Albany, Georgia 31702 • 912/435-8161  
 Cable Address: AEROCOM-Albany

FIG. & INDEX	PART NUMBER	NOMENCLATURE	NO. REQ.	EFFECTIVE SERIALS
16-				
-28	32061	Doubler	1	
-29	32069	Splash Guard Fuel	1	
-	32267-1	Left Tip Assembly	1	
-	32267-2	Right Tip Assembly	1	
		-ATTACHING PARTS-		
-30	65736	Screw, MS24622-20	44	
	59456	Nut - Tinn. A1787-8Z-1	44	
		----*----		
-31	32269-1	.Left Tip	1	
	32269-2	.Right Tip	1	
-32	32172-1	.Rib Aileron and Flap, Left	1	
	32172-2	.Rib Aileron and Flap, Right	1	
-	38098	.Position Light Assembly, R/H	1	
-	38099	.Position Light Assembly, L/H	1	
-	62250	..Red Light - Grimes A-1285-R-12	1	
-	62251	..Green Light - Grimes A-1285-G-12	1	
-33	38097	..Wire Assembly	1	
-34	32088	..Wire Assembly	1	
-35	1512	Replacement Bulb - Grimes 1512	AR	
17-		<u>LIFT STRUT</u>		
-	32024-1	Left Lift Strut, Complete	1	
-	32024-2	Right Lift Strut, Complete	1	
		-ATTACHING PARTS-		
-1	54232	Bolt, AN176-17A	1	
	58790	Washer, AN960-616	2	
	55449	Nut, AN365-624	1	
-2	54240	Bolt, AN176-32A	1	
	58790	Washer, AN960-616	2	
	55449	Nut, AN365-624	1	
		----*----		
-3	32028-1	.Fitting Lower Strut, Left	1	
	32028-2	.Fitting Lower Strut, Right	1	
		-ATTACHING PARTS-		
-4	68210	Screw, NAS222-33	5	
	58760	Washer, AN960-416	5	
	55399	Nut, AN365-428	5	
		----*----		
-5	32026	.Tube Lift Strut	1	

- Indicates Not Illustrated

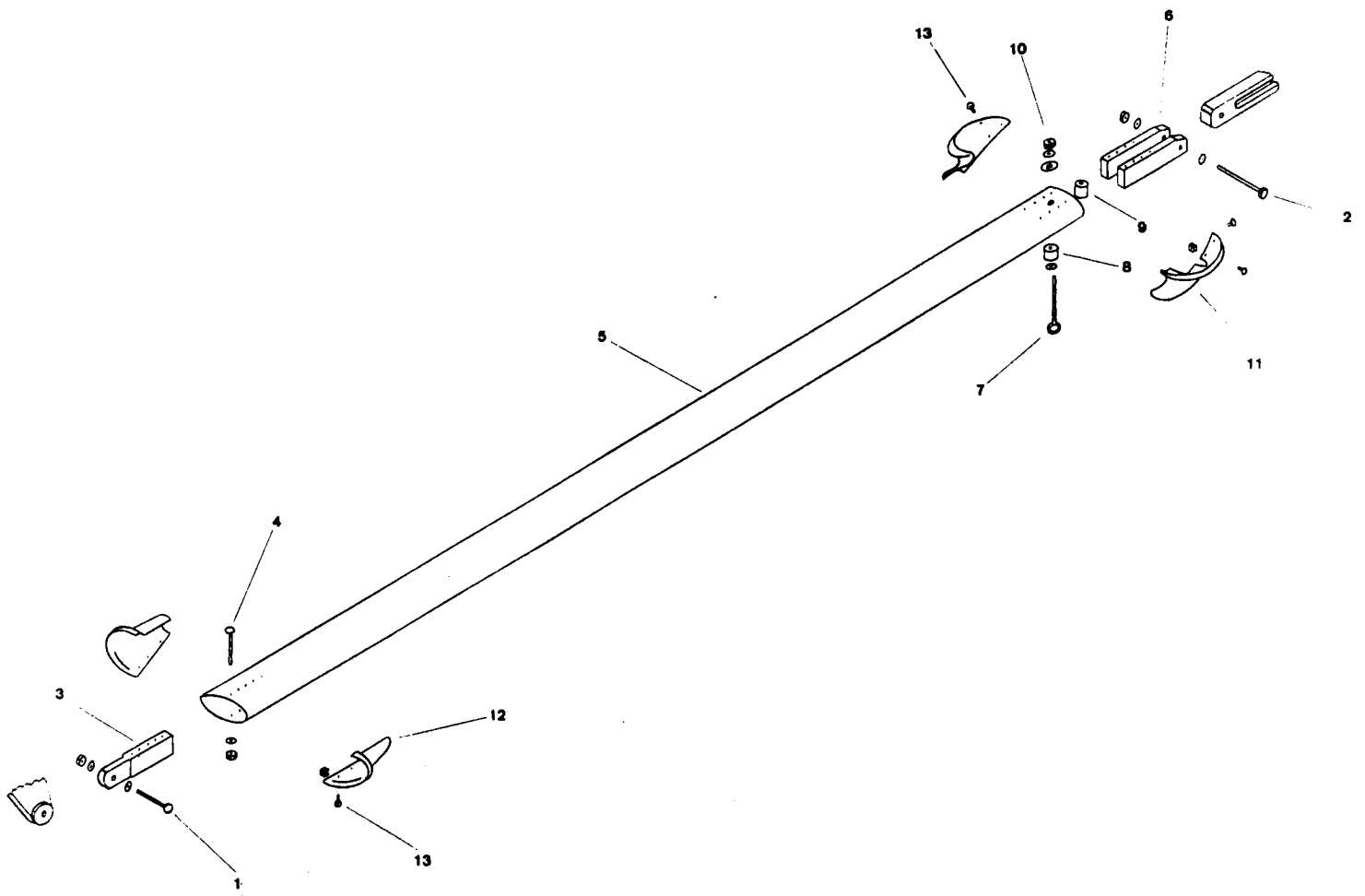


FIGURE 17

*Illustrated Parts Catalog*

Albany Plant

One Rockwell Avenue

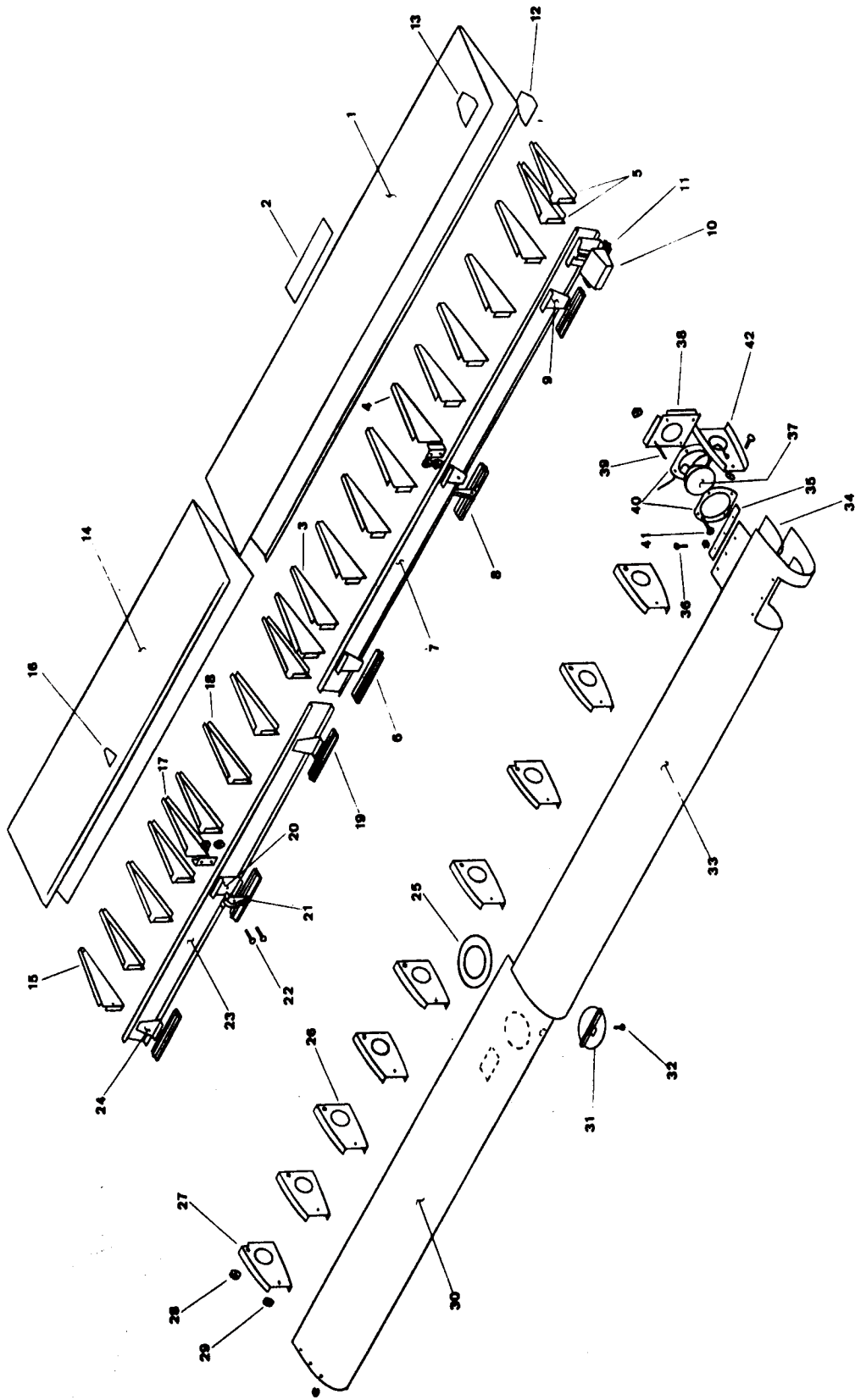
Albany, Georgia 31702 • 912/435-8161

Cable Address: AEROCOM-Albany

FIG. & INDEX	PART NUMBER	NOMENCLATURE	NO. REQ.	EFFECTIVE SERIALS
17-				
-6	32029	.Fitting Upper Strut	2	
		-ATTACHING PARTS-		
-	68170	Screw, NAS221-30	8	
-	58740	Washer, AN960-10	8	
-	55599	Nut, AN365-1032	8	
		----*----		
-7	32027	.Ring Assembly	1	
-8	32030	.Spacer	1	
-9	32031	.Spacer	1	
		-ATTACHING PARTS-		
-10	58860	Washer, AN970-4	1	
	58760	Washer, AN960-416	2	
	55399	Nut, AN365-428	1	
		----*----		
-11	32032-1	Fairing Assembly, Upper Left	1	
	32032-2	Fairing Assembly, Upper Right	1	
-12	32033-1	Fairing Assembly, Lower Left	1	
	32033-2	Fairing Assembly, Lower Right	1	
		-ATTACHING PARTS-		
-13	59172	Screw, PK 86xA-6-8	4	
		----*----		
18-		<u>FLAPS-AILERONS-LEADING EDGE-LANDING LIGHT</u>		
-	32003-1	Left Aileron Assembly, Complete	1	
-	32003-2	Right Aileron Assembly, Complete	1	
		-ATTACHING PARTS-		
-	68185	Screw, NAS221-8	12	
-	58743	Washer, AN960C10	12	
-	55599	Nut, AN365-1032	12	
		----*----		
-1	32160-1	.Skin, Aileron, Left	1	
	32160-2	.Skin, Aileron, Right	1	
-2	32183	.Tab, Left Aileron Only	1	
-3	32172-2	.Rib, Aileron and Flap, Left	9	
	32172-1	.Rib, Aileron and Flap, Right	9	
-4	32169-2	.Rib Assembly, Left Aileron	1	
	32169-1	.Rib Assembly, Right Aileron	1	
-5	32172-1	.Rib, Aileron and Flap, Left	2	
	32172-2	.Rib, Aileron and Flap, Right	2	

- Indicates Not Illustrated





**FIGURE 18**

FLAPS-AILERONS-  
L.E.-LANDING LIGHT.  
LARK COMMANDER

*Illustrated Parts Catalog*

Albany Plant  
 One Rockwell Avenue  
 Albany, Georgia 31702 • 912/435-6161  
 Cable Address: AEROCOM-Albany

FIG. & INDEX	PART NUMBER	NOMENCLATURE	NO. REQ.	EFFECTIVE SERIALS
18-				
-6	32168	.Hinge Assembly Aileron	3	
-7	32165	.Closure Aileron	1	
-8	32166	.Horn Aileron	1	
		-ATTACHING PARTS-		
-	68185	Screw, NAS221-8	1	
-	56554	Screw, AN509-10R10	1	
		----*----		
-9	32164	.Stiffener, Aileron	3	
-10	32173	.Assembly, Balance Weight Aileron	1	
-11	32167	.Hinge Assembly Aileron	1	
-12	32163	.Gusset, Aileron	1	
-13	32162	.Gusset, Aileron	1	
-	31011	.I.D. Plate (on inboard rib)	1	
-	32004-1	Left Flap Assembly, Complete	1	
-	32004-2	Right Flap Assembly, Complete	1	
		-ATTACHING PARTS-		
-	68185	Screw, NAS221-8	14	
-	58743	Washer, AN960C10	14	
-	55599	Nut, AN365-1032	14	
		----*----		
-14	32185-1	.Skin, Flap, Left	1	
	32185-2	.Skin, Flap, Right	1	
-15	32172-2	.Rib Aileron and Flap, Left	1	
	32172-1	.Rib Aileron and Flap, Right	1	
-16	32189	.Doubler	1	
-17	32169-1	.Rib Assembly, Aileron, L/H	1	
	32169-2	.Rib Assembly, Aileron, R/H	1	
-18	37172-1	.Rib Aileron and Flap, L/H	7	
	37172-2	.Rib Aileron and Flap, R/H	7	
-19	32192	.Hinge, Flap	3	
-20	32188	.Stiffener Flap Spar	1	
-21	32190	.Horn, Control Flap	1	
		-ATTACHING PARTS-		
-22	59690	Screw, AN520R-1032-7	2	
		----*----		
-23	32187	.Closure and Flaps	1	
-24	32191	.Angle, Stiffener, Flap	2	
-25	32012	.Doubler	1	
-26	32014-1	.Rib, Nose, Left	8	
	32014-2	.Rib, Nose, Right	8	

- Indicates Not Illustrated

*Illustrated Parts Catalog*

Albany Plant  
 One Rockwell Avenue  
 Albany, Georgia 31702 • 912/435-8161  
 Cable Address: AEROCOM-Albany

FIG. & INDEX	PART NUMBER	NOMENCLATURE	NO. REQ.	EFFECTIVE SERIALS
18-				
-27	32015-1	.Rib, Nose, Left	1	
	32015-2	.Rib, Nose, Right	1	
-28	58470	.Grommet, AN931-6-10	10	
-29	66150	.Grommet, MS35489-6	10	
-30	32210-1	.L.E. Skin Inboard, Left Wing	1	
	32210-2	.L.E. Skin Inboard, Right Wing	1	
-31	31010	.Cover	1	
		-ATTACHING PARTS-		
-32	56651	Screw, AN526-632R8	1	
		----*----		
-33	32211	.L.E. Skin Outboard, L/H Wing	1	
	32011	.L.E. Skin Outboard, R/H Wing	1	
-34	32251	.Cover, Landing Light	1	
-35	32252	.Bracket Landing Light Cover	2	
		-ATTACHING PARTS-		
-36	59458	Nut - Tinn. A1789-8Z3	6	
	59190	Screw - PK 56Z-8-5	6	
		----*----		
-	32225	.Landing Light Assembly	1	
-37	62182	..Bulb - G.E. 4509	1	
-38	32238	..Bracket Assembly	1	
-39	63018	..Spring - Lee LC038D15	4	
-40	32242	..Retainer, Landing Light	2	
		-ATTACHING PARTS-		
-41	59688	Screw, AN520-10-28	4	
		----*----		
-42	32014-2	Rib Nose, Left Wing	1	
	32014-1	Rib Nose, Right Wing	1	
19-		<u>CONTROL YOKE</u>		
-	35601	Wheel Assembly Control	2	
		-ATTACHING PARTS-		
-1	55915	Taper Pin, AN386-1-6A	1	
	58909	Washer, AN975-3	1	
	55379	Nut, AN364-1032	1	
		----*----		
-2	35632	.Control Wheel	1	
-3	35621	.Tube	1	

- Indicates Not Illustrated

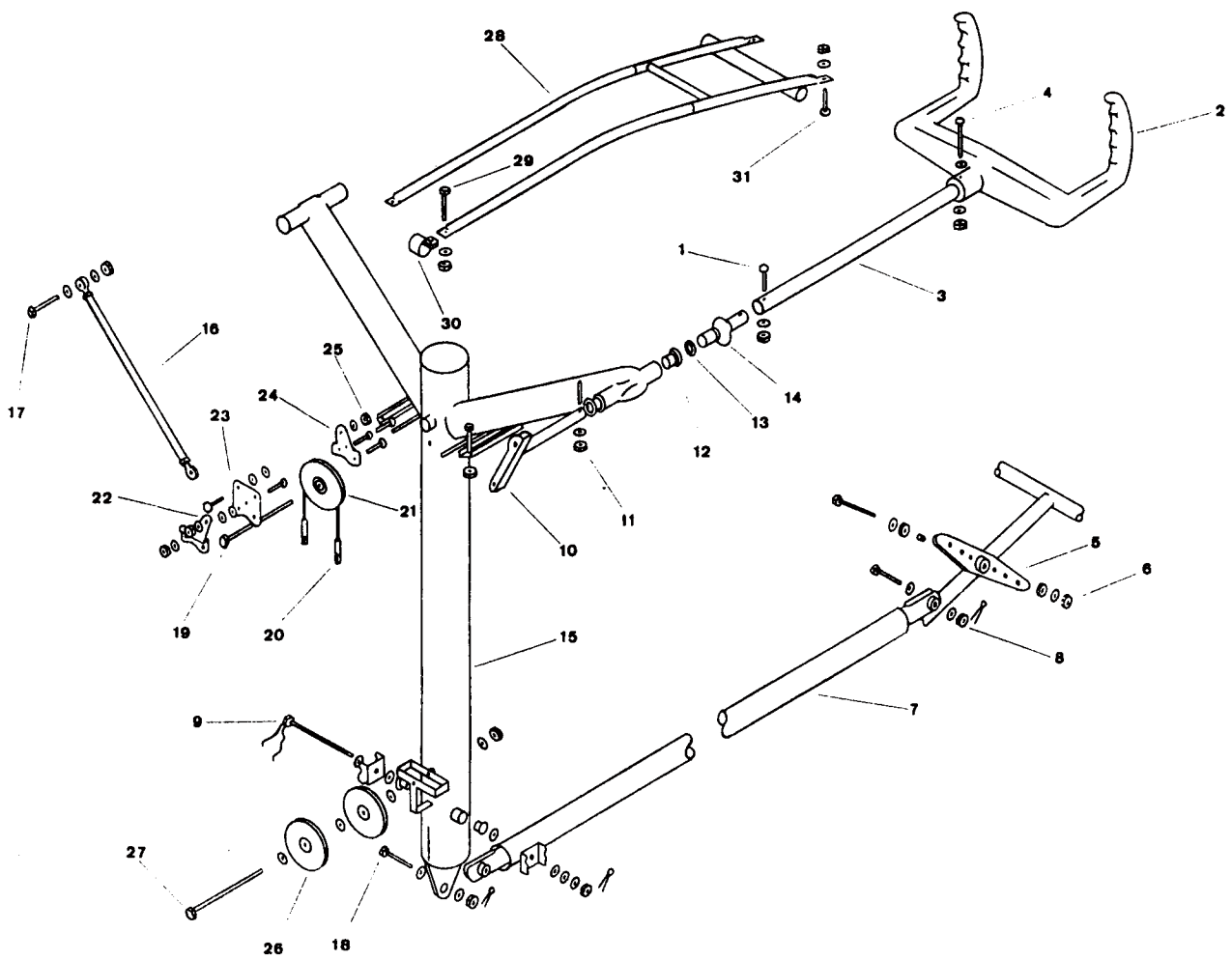


FIGURE 19

CONTROL YOKE  
INSTALLATION.  
LARK COMMANDER

*Illustrated Parts Catalog*

Albany Plant  
 One Rockwell Avenue  
 Albany, Georgia 31702 • 912/435-8181  
 Cable Address: AEROCOM-Albany

FIG. & INDEX	PART NUMBER	NOMENCLATURE	NO. REQ.	EFFECTIVE SERIALS
19-		-ATTACHING PARTS-		
-4	68155	Screw, NAS221-24	1	
	58745	Washer, AN960-D10	1	
	55599	Nut, AN365-1032	1	
		----*----		
-5	35201	Bellcrank Assembly, Elevator	1	
		-ATTACHING PARTS-		
-6	59409	Bushing - Boston Gear TB-812	1	
	51900	Bolt, AN5-25	1	
	58781	Washer, AN960-516L	2	
	54425	Nut, AN310-5	1	
	55675	Cotter, AN380-2-2	1	
		----*----		
-7	35200	Push Pull Tube Assembly - Elevator	1	
		-ATTACHING PARTS-		
-8	50900	Bolt, AN4-7	2	
	58770	Washer, AN960-416L	2	
	54400	Nut, AN310-4	4	
	55675	Cotter, AN380-2-2	2	
		----*----		
-	35600	Column Assembly	1	
		-ATTACHING PARTS-		
-9	52076	Bolt, AN5H-32	1	
	54425	Nut, AN310-5	1	
	55675	Cotter, AN380-2-2	1	
	58780	Washer, AN960-516	1	
	59401	Bushing, Boston Gear FB-56-3	2	
		----*----		
-10	35602-1/2	.Aileron Bellcrank Assy., Left (-1), Right (-2)	2	
		-ATTACHING PARTS-		
-11	55195	Taper Pin, AN386-1-6A	1	
	58909	Washer, AN975-3	1	
	55379	Nut, AN364-1032	1	
-12	59403	Bushing, Boston Gear FB-810-5	2	
-13	58805	Washer, AN960-816	2	
-14	65056	Universal, MS20271B10	2	
		----*----		
-15	35607	.Yoke Weldment	1	
-16	35603	.Tube Assembly - Aileron Control	2	
		-ATTACHING PARTS-		
-17	50926	Bolt, AN4-10A	2	
	58760	Washer, AN960-416	4	

- Indicates Not Illustrated

*Illustrated Parts Catalog*

Albany Plant

One Rockwell Avenue

Albany, Georgia 31702 • 912/435-8181

Cable Address: AEROCOM-Albany

FIG. & INDEX	PART NUMBER	NOMENCLATURE	NO. REQ.	EFFECTIVE SERIALS
19-	55399	Nut, AN365-428	2	
-18	68040	Screw, NAS1204-11	2	
	65545	Nut, MS21042-L4	2	
	58770	Washer, AN960-416L	4	
		----*----		
-	35605	.Pulley Assembly - Aileron Bellcrank	1	
		-ATTACHING PARTS-		
-19	52626	Bolt, AN6-34A	1	
	58790	Washer, AN960-616	1	
	55449	Nut, AN365-624	1	
		----*----		
-20	35606	.Aileron Cable Assembly	1	
-21	35630	..Pulley Assembly	1	
-22	35623	..Pulley Arm	1	
-23	35624	..Pulley Lever	1	
-24	35625	..Pulley Arm	1	
		-ATTACHING PART-		
-25	68130	Screw, NAS221-19	2	
	58740	Washer, AN960-10	2	
	55599	Nut, AN365-1032	2	
		----*----		
-26	35032	.Control Pulley	2	
		-ATTACHING PARTS-		
-27	52080	Bolt, AN5-36A	1	
	58780	Washer, AN960-516	4	
	55424	Nut, AN365-524	1	
		----*----		
-28	33503	Guide - Control Yoke	1	
		-ATTACHING PARTS-		
-29	50001	Bolt, AN3-4A	2	
	58745	Washer, AN960-D10	2	
	55599	Nut, MS20365-1032	2	
-30	57420	Clamp, AN742-12	2	
-31	68190	Screw, NAS221-9	2	
	58745	Washer, AN960-D10	2	
	55599	Nut, AN365-1032	2	
		----*----		

- Indicates Not Illustrated

# Illustrated Parts Catalog

Albany Plant  
 One Rockwell Avenue  
 Albany, Georgia 31702 • 912/435-6161  
 Cable Address: AEROCOM-Albany

FIG. & INDEX	PART NUMBER	NOMENCLATURE	NO. REQ.	EFFECTIVE SERIALS
20-		<u>RUDDER CONTROL</u>		
-1	35813	Rudder Torque Bar Assembly	1	
		-ATTACHING PARTS-		
-	51001	Bolt, AN4-13A	2	
	55399	Nut, MS20365-428	2	
	58760	Washer, AN960-416	2	
	68251	Spacer, NAS43HT4-14	4	
		----*----		
-2	35801	..Bearing Assembly	2	5001-5075
-	35300	..Plate, Rudder Bar Bearing	4	5001-5075
-	35802	..Shim - Rudder Pedals	AR	5001-5075
-	35805	..Shim - Rudder Pedals	AR	5001-5075
		-ATTACHING PARTS-		
-	50902	Bolt, AN4-7A	4	5001-5075
-	58760	Washer, AN960-416	8	5001-5075
-	55399	Nut, MS20365-428	4	5001-5075
		----*----		
-3	35837	..Clamp	1	5001-5075
-	35841	..Bearing Half - Phenolic	2	5001-5075
-	35840	..Shim	2	5001-5075
-	35839	..Clamp	1	5001-5075
-	35802	..Shim - Rudder Pedals	AR	5001-5075
-	35805	..Shim - Rudder Pedals	AR	5001-5075
		-ATTACHING PARTS-		
-	50902	Bolt, AN4-7A	2	5001-5075
-	58760	Washer, AN960-416	4	5001-5075
-	55399	Nut, MS20365-428	2	5001-5075
		----*----		
-	35300	..Plate, Rudder Bar Bearing	2	5076&up
-	35855	..Bearing Assembly, Rudder Bar	3	5076&up
		-ATTACHING PARTS-		
-	51151	Bolt, AN4-20A	6	5076&up
	58760	Washer, AN960-416	6	5076&up
	55399	Nut, MS20365-428	6	5076&up
		----*----		
-4	35817	.Rudder Pedal - Co-Pilot	2	
-5	35818	.Rudder Pedal - Pilot	2	
-6	35804	Push Pull Tube Assembly	2	
		-ATTACHING PARTS-		
-7	51001	Bolt, AN4-13A	2	
	58760	Washer, AN960-416	2	

- Indicates Not Illustrated

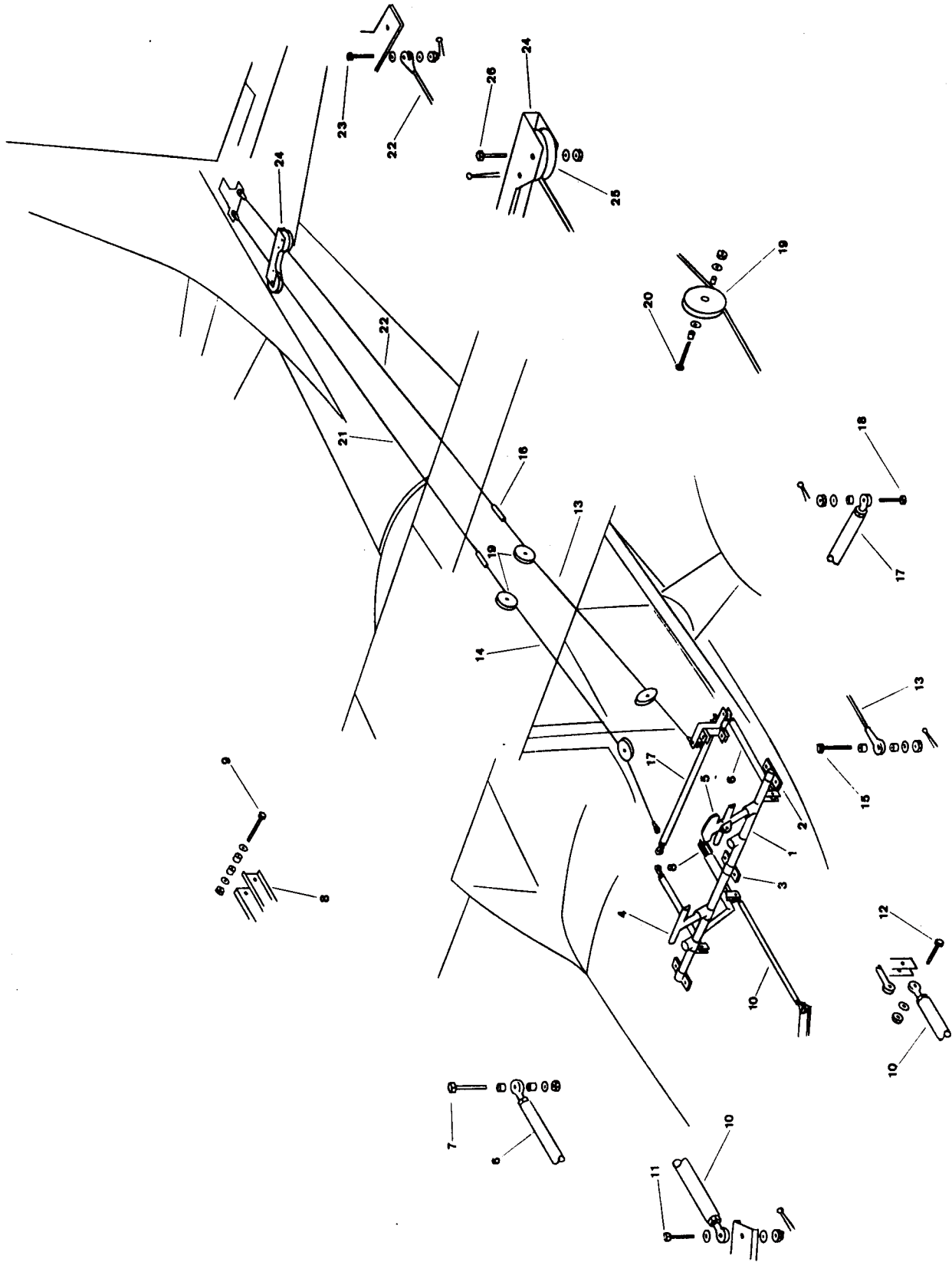


FIGURE 20



*Illustrated Parts Catalog*

Albany Plant  
 One Rockwell Avenue  
 Albany, Georgia 31702 • 912/435-8161  
 Cable Address: AEROCOM-Albany

FIG. & INDEX	PART NUMBER	NOMENCLATURE	NO. REQ.	EFFECTIVE SERIALS
20-	55399	Nut, MS20365-428 ----*----	2	
-8	35803	Spring Cartridge Assembly -ATTACHING PARTS-	1	
-9	51001	Bolt, AN4-13A	1	
	58770	Washer, AN960-416L	1	
	58760	Washer, AN960-416	1	
	55399	Nut, MS20365-428	1	
	68240	Spacer, NAS43DD4-23A ----*----	2	
-10	35800	Steering Rod - Nose Gear -ATTACHING PARTS-	1	
-11	50900	Bolt, AN4-7	1	
	58760	Washer, AN960-416	1	
	58770	Washer, AN960-416L	1	
	54400	Nut, AN310-4	1	
	65745	Cotter, MS24665-132	1	
-12	51001	Bolt, AN4-13A	1	
	58760	Washer, AN960-416	1	
	55399	Nut, MS20365-428 ----*----	1	
-13	35811	Cable Assembly, Crt. Rudder, L/H	1	
-14	35812	Cable Assembly, Crt. Rudder, R/H -ATTACHING PARTS-	1	
-15	50175	Bolt, AN3-13	2	
	58740	Washer, AN960-10	2	
	54375	Nut, AN310-3	2	
	65745	Cotter, MS24665-132	2	
	68240	Spacer, NAS43HT3-24 ----*----	4	
-16	65585	Turnbuckle Barrel, MS21251-B5S	2	
	65620	Clip, MS21256-1	8	
-17	35806	Push Pull Tube Assembly -ATTACHING PARTS-	1	
-18	51000	Bolt, AN4-13	2	
	58760	Washer, AN960-416	2	
	54400	Nut, AN310-4	2	
	65745	Cotter, MS24665-132 ----*----	2	
-19	35011	<b>Pulley</b>	2	

- Indicates Not Illustrated

*Illustrated Parts Catalog*

Albany Plant

One Rockwell Avenue

Albany, Georgia 31702 • 912/435-6161

Cable Address: AEROCOM-Albany

FIG. & INDEX	PART NUMBER	NOMENCLATURE	NO. REQ.	EFFECTIVE SERIALS
20-				
-	35010	Bushing	2	
		-ATTACHING PARTS-		
-20	50076	Bolt, AN3-7A	2	
	50176	Bolt, AN3-13A	2	
	58750	Washer, AN960-10L	4	
	55599	Nut, MS20365-1032	4	
		----*----		
-21	35810	Cable Assembly, Aft Rudder R/H	1	
-22	35809	Cable Assembly, Aft Rudder L/H	1	
		-ATTACHING PARTS-		
-23	50075	Bolt, AN3-7	2	
	58740	Washer, AN960-10	4	
	54375	Nut, AN310-3	2	
	65745	Cotter, MS24665-132	2	
		----*----		
-24	33768	Pulley Bracket Assembly	1	
-25	65730	.Pulley, MS24566-3B	2	
		-ATTACHING PARTS-		
-26	50976	Bolt, AN4-12A	1	
	58760	Washer, AN960-416	1	
	68260	Spacer, NAS43HT4-8	2	
	55399	Nut, MS20365-428	1	
	65768	Cotter, MS24665-287	2	
		----*----		
21-		<u>ELEVATOR CONTROL</u>		
-1	35200	Push Pull Tube Assembly, Elevator	1	
		-ATTACHING PARTS-		
-2	50900	Bolt, AN4-7	2	
	58770	Washer, AN960-416L	2	
	54975	Nut, AN340-4	2	
	55675	Cotter Pin, AN380-2-2	2	
		----*----		
-3	35201	Bellcrank Assembly, Elevator	1	
		-ATTACHING PARTS-		
-4	59409	Bearing, Boston Gear TB-812	2	
	51900	Bolt, AN5-25	1	
	58781	Washer, AN960-516L	2	
	54425	Nut, AN310-5	1	
	55675	Cotter Pin, AN380-2-2	1	
		----*----		

- Indicates Not Illustrated

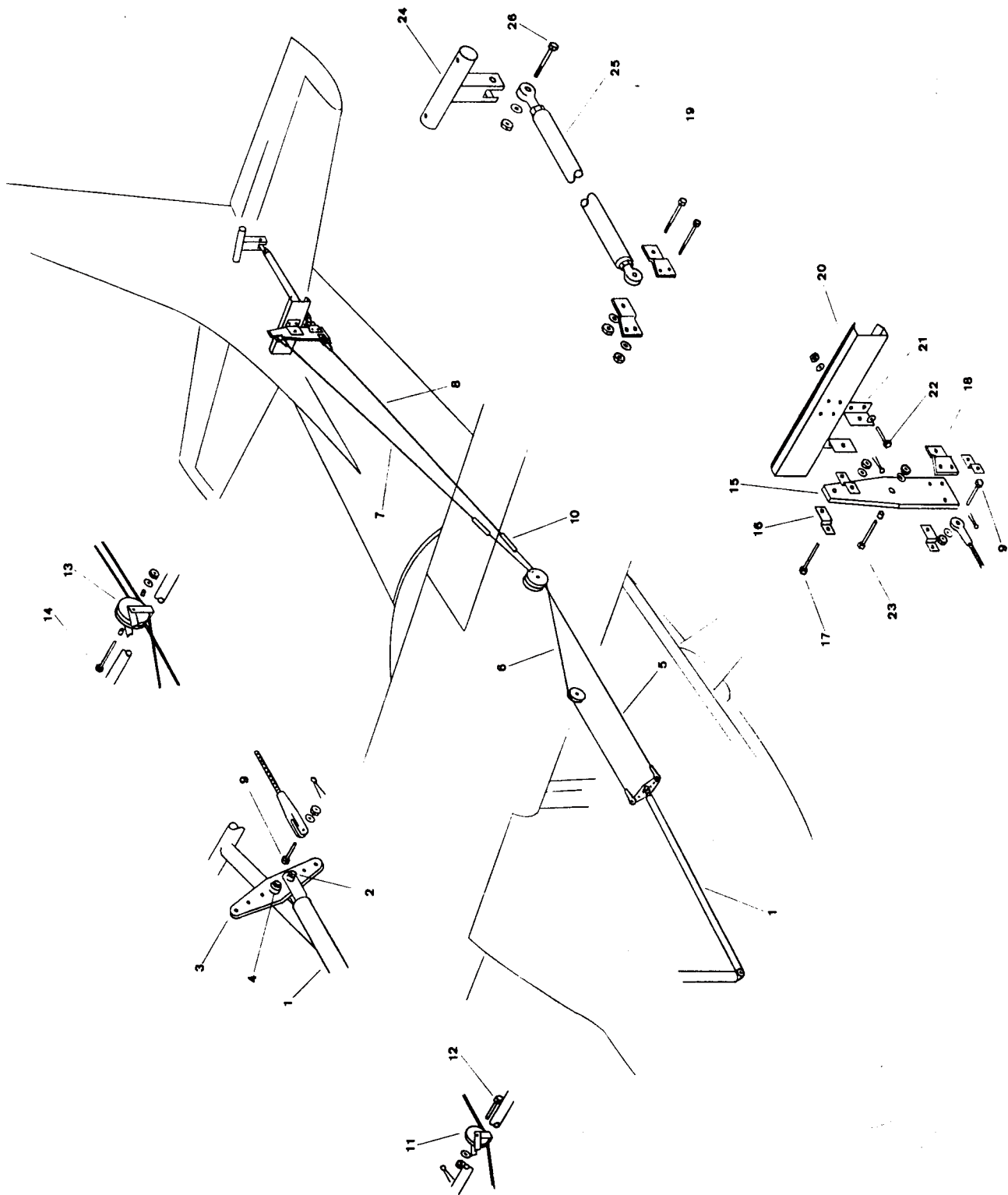


FIGURE 21

*Illustrated Parts Catalog*

Albany Plant  
 One Rockwell Avenue  
 Albany, Georgia 31702 • 912/435-8161  
 Cable Address: AEROCOM-Albany

FIG. & INDEX	PART NUMBER	NOMENCLATURE	NO. REQ.	EFFECTIVE SERIALS
21-				
-5	35204	Cable Assembly, Forward Up Elevator	1	
-6	35205	Cable Assembly, Forward Down Elevator	1	
-7	35701	Cable Assembly, Aft Up Elevator	1	
-8	35702	Cable Assembly, Aft Down Elevator	1	
		-ATTACHING PARTS-		
-9	50025	Bolt, AN3-5	4	
	58750	Washer, AN960-10L	4	
	54375	Nut, AN310-3	4	
	55675	Cotter Pin, AN380-2-2	4	
-10	65585	Turnbuckle Barrel, MS21251-B5S	2	
		----*----		
-11	35202	Pulley Assembly, Elevator	1	
		-ATTACHING PARTS-		
-12	50925	Bolt, AN4-10	1	
	55675	Cotter Pin, AN380-2-2	1	
	58760	Washer, AN960-416	AR	
	54374	Nut, AN310-428	1	
		----*----		
-13	35011	Pulley	2	
		-ATTACHING PARTS-		
-14	50176	Bolt, AN3-13A	1	
	58750	Washer, AN960-10L	1	
	55599	Nut, MS20365-1032	1	
	35010	Bushing	2	
		----*----		
-	33734	Bellcrank Assembly	1	
-15	33737	.Bellcrank	1	
-16	33739	.Clip	4	
		-ATTACHING PARTS-		
-17	50025	Bolt, AN3-5	2	
	54375	Nut, AN310-3	2	
	58740	Washer, AN960-10	2	
	55675	Cotter, AN380-2-2	2	
		----*----		
-18	33738-1/2	Clip, Left (-1), Right (-2)	2	
		-ATTACHING PARTS-		
-19	50051	Bolt, AN3-6A	2	
	55379	Nut, MS20364-1032	2	
	58740	Washer, AN960-10	2	
		----*----		
-20	33731	Channel	1	

-- Indicates Not Illustrated

*Illustrated Parts Catalog*

Albany Plant  
 One Rockwell Avenue  
 Albany, Georgia 31702 • 912/435-6161  
 Cable Address: AEROCOM-Albany

FIG. & INDEX	PART NUMBER	NOMENCLATURE	NO. REQ.	EFFECTIVE SERIALS
21-				
-21	33736	Bracket	2	
		-ATTACHING PARTS-		
-22	50026	Bolt, AN3-5A	4	
	55599	Nut, MS20365-1032	4	
	58740	Washer, AN960-10	4	
-23	50926	Bolt, AN4-10A	1	
	55399	Nut, MS20365-428	1	
	58760	Washer, AN960-416	1	
		----*----		
-24	34366	Weld Assembly	1	
-25	35700	Push Pull Tube Assembly	1	
		-ATTACHING PARTS-		
-26	51026	Bolt, AN4-14A	2	
	58760	Washer, AN960-416	2	
	55399	Nut, MS20365-428	2	
	68251	Spacer, NAS43-HT-14	4	
		----*----		
22-		<u>ELEVATOR TRIM</u>		
-1	35511	Handwheel Assembly, Elevator Tab	1	
		-ATTACHING PARTS-		
-2	53432	Bolt, AN25-38	1	
	35510	Spacer, Handwheel Assembly	1	
	35524	Spacer	1	
	58780	Washer, AN960-516	1	
	54875	Nut, AN320-5	1	
	55675	Cotter, AN380-2-2	1	
		----*----		
-3	35502	Chain	1	
-4	35506	Cable Assembly, Forward R/H, Tab	1	
-5	35505	Cable Assembly, Forward L/H, Tab	1	
-6	35501	Cable Assembly, Aft R/H, Tab	1	
-7	35516	Cable Assembly, Aft L/H, Tab	1	
-8	35525	Chain	1	
-9	35020	Actuator Assembly, Tab	1	
		-ATTACHING PARTS-		
-10	50076	Bolt, AN3-7A	2	
	58750	Washer, AN960-10L	2	
	58740	Washer, AN960-10	2	

- Indicates Not Illustrated

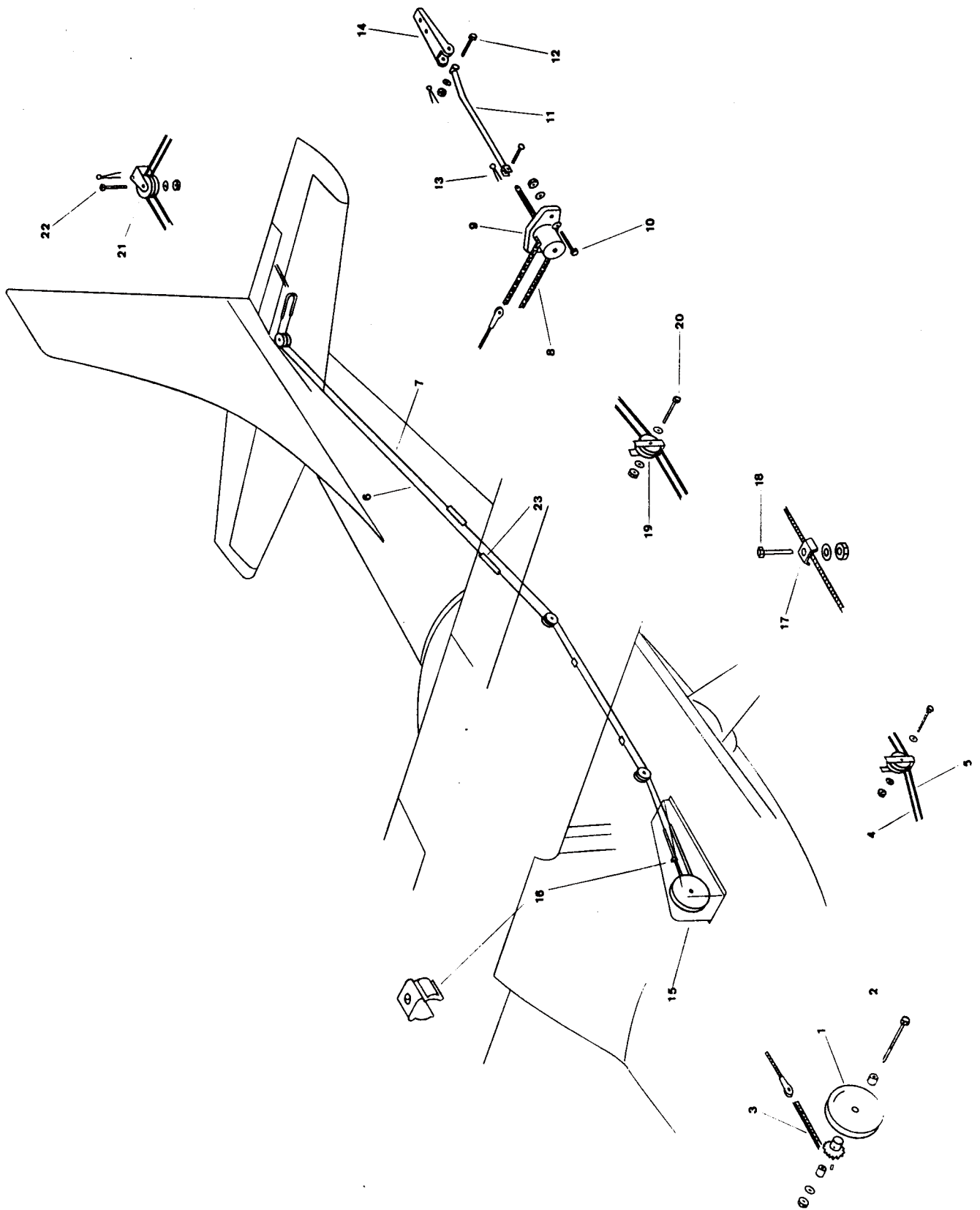


FIGURE 22

60

ELEVATOR TRIM.  
LARK COMMANDER

*Illustrated Parts Catalog*

Albany Plant

One Rockwell Avenue

Albany, Georgia 31702 • 912/435-6161

Cable Address: AEROCOM-Albany

FIG. & INDEX	PART NUMBER	NOMENCLATURE	NO. REQ.	EFFECTIVE SERIALS
22-	55599	Nut, AN365-1032 ----*----	2	
-11	35022	Control Rod, Elevator Tab -ATTACHING PARTS-	1	
-12	50125	Bolt, AN3-11	1	
	58740	Washer, AN960-10	1	
	54375	Nut, AN310-3	1	
	55675	Cotter, AN380-2-2	1	
-13	55920	Pin, AN392-17	1	
	55675	Cotter, AN380-2-2 ----*----	1	
-14	34356	Horn, Tab, Elevator	1	
-15	35509	Housing Assembly, Trim	1	
-16	35503	Clip	1	
-17	35504	Stop -ATTACHING PARTS-	2	
-18	50001	Bolt, AN3-4A	2	
	58773	Washer, AN960D-416	2	
	55599	Nut, AN365-1032 ----*----	2	
-19	33072	Pulley	4	
-	59338	Bushing - Boston Gear B34-6 -ATTACHING PARTS-	2	
-20	50126	Bolt, AN3-11A	2	
	58760	Washer, AN960-416	2	
	55599	Nut, AN365-1032 ----*----	2	
-21	33072	Pulley -ATTACHING PARTS-	2	
-22	50150	Bolt, AN3-12	1	
	59338	Bushing - Boston Gear B34-6	1	
	58770	Washer, AN960-416L	3	
	58750	Washer, AN960-10L	1	
	55599	Nut, AN365-1032	1	
	65770	Cotter, MS24665-304 ----*----	1	
-23	65575	Turnbuckle Barrel, MS21251-B2S	2	
	65620	Clip, MS21256-1	4	

- Indicates Not Illustrated

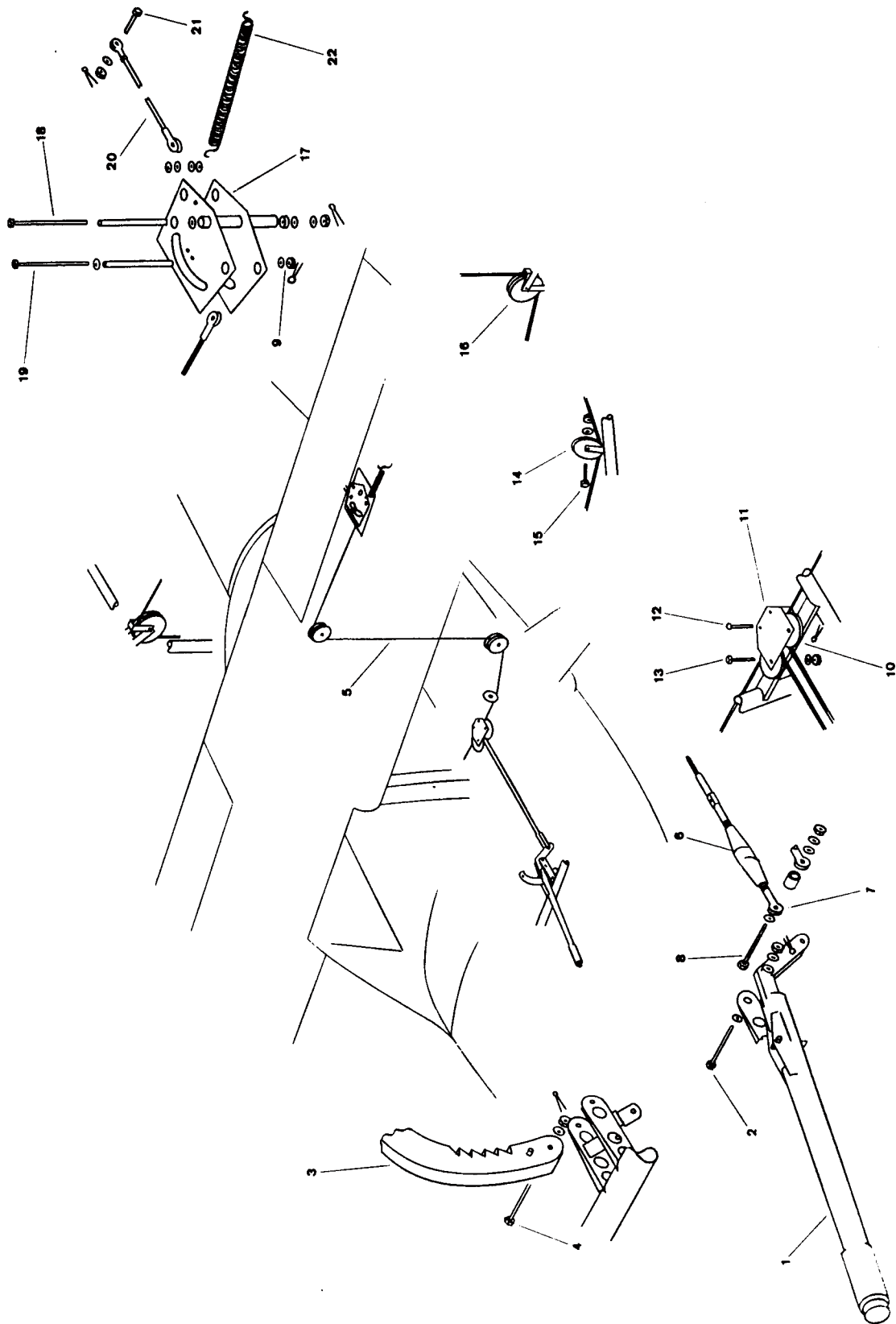


FIGURE 23



*Illustrated Parts Catalog*

Albany Plant  
 One Rockwell Avenue  
 Albany, Georgia 31702 • 912/435-6161  
 Cable Address: AEROCOM-Albany

FIG. & INDEX	PART NUMBER	NOMENCLATURE	NO. REQ.	EFFECTIVE SERIALS
23-		<u>FLAP CONTROL</u>		
-1	35400	Handle Assembly, Flap -ATTACHING PARTS-	1	
-2	51725	Bolt, AN5-16	1	
	58781	Washer, AN960-516L	1	
	54425	Nut, AN310-5	1	
	55675	Cotter, AN380-2-2 ----*----	1	
-3	35406	Quadrant Assembly -ATTACHING PARTS-	1	
-4	53254	Bolt, AN23-13	1	
	58750	Washer, AN960-10L	1	
	54825	Nut, AN320-3	1	
	55675	Cotter, AN380-2-2 ----*----	1	
-5	35401	Cable Assembly, Flap Aft -ATTACHING PARTS-	2	
-6	54025	Turnbuckle Barrel, AN155-32S	2	
-7	65596	Eye, MS21254-5LS	2	
-8	51001	Bolt, AN4-13A	1	
	58770	Washer, AN960-416L	1	
	55399	Nut, AN365-428	1	
-9	50075	Bolt, AN3-7	1	
	58740	Washer, AN960-10	1	
	54375	Nut, AN310-3	1	
	55675	Cotter, AN380-2-2 ----*----	1	
-10	65730	Pulley, MS24566-3B	2	
-11	35402	Plate -ATTACHING PARTS-	2	
-12	65124	Pin, MS20392-1C17	2	
	55675	Cotter, AN380-2-2	2	
-13	50926	Bolt, AN4-10A	2	
	58770	Washer, AN960-416L	2	
	55399	Nut, AN365-428 ----*----	2	
-14	35011	Pulley	2	
	35010	Bushing -ATTACHING PARTS-	2	
-15	50076	Bolt, AN3-7A	2	
	58750	Washer, AN960-10L	2	

- Indicates Not Illustrated

*Illustrated Parts Catalog*

Albany Plant  
 One Rockwell Avenue  
 Albany, Georgia 31702 • 912/435-6161  
 Cable Address: AEROCOM-Albany

FIG. & INDEX	PART NUMBER	NOMENCLATURE	NO. REQ.	EFFECTIVE SERIALS
23-	55379	Nut, AN364-1032	2	
	65124	Pin, MS20392-1C17	2	
	55675	Cotter, AN380-2-2	2	
		---*---		
-16	35019	Pulley	8	
		-ATTACHING PARTS-		
-	51026	Bolt, AN4-14A	4	
-	58770	Washer, AN960-416L	4	
-	55399	Nut, AN365-428	4	
		---*---		
-17	35012	Bellcrank Assembly, Flap and Aileron	2	
		-ATTACHING PARTS-		
-18	51450	Bolt, AN4-40	1	
	58760	Washer, AN960-416	1	
	54400	Nut, AN310-4	1	
	55675	Cotter, AN380-2-2	1	
	35016	Spacer	1	
		---*---		
-19	52081	Stop Bolt, AN5-37	1	
	58781	Washer, AN960-516L	1	
	54425	Nut, AN310-5	1	
	55675	Cotter, AN380-2-2	1	
-20	35403	Rod Assembly, Flap Control	1	
		-ATTACHING PARTS-		
-21	50100	Bolt, AN3-10	2	
	58750	Washer, AN960-10L	2	
	54375	Nut, AN310-3	2	
	55675	Cotter, AN380-2-2	2	
		---*---		
-22	32062	Spring Flap Return	1	
24-		<u>AILERON CONTROL</u>		
-1	54025	Turnbuckle Barrel, AN55-32S	6	
-2	35102	Cable Assembly	1	
-3	35101	Cable Assembly	1	
-4	35103	Cable Assembly	4	
-5	35104	Cable Assembly	1	
-6	35019	Pulley	8	

- Indicates Not Illustrated

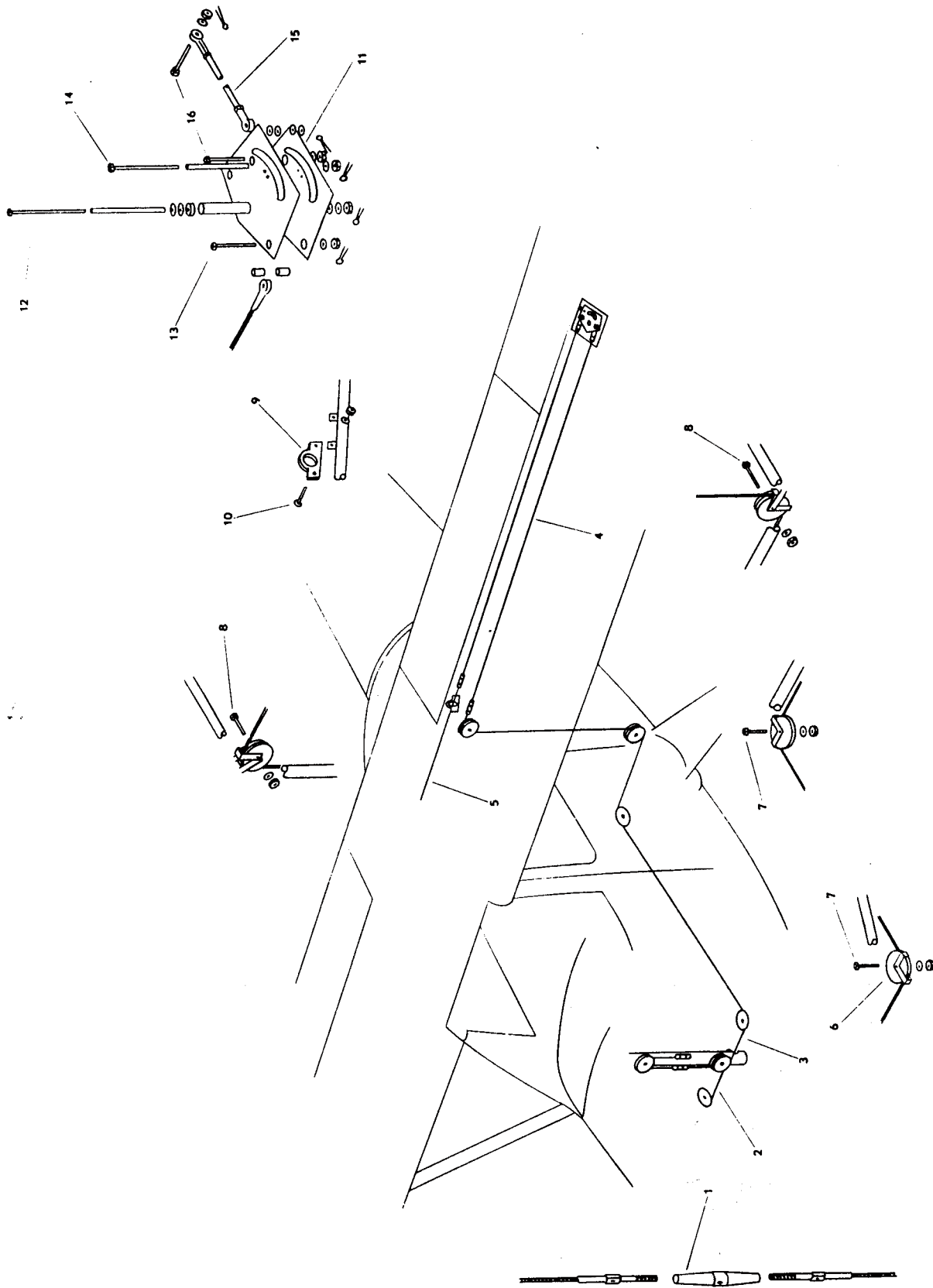


FIGURE 24

65

AILERON CONTROL.  
LARK COMMANDER

*Illustrated Parts Catalog*

Albany Plant

One Rockwell Avenue

Albany, Georgia 31702 • 912/435-6161

Cable Address: AEROCOM-Albany

FIG. & INDEX	PART NUMBER	NOMENCLATURE	NO. REQ.	EFFECTIVE SERIALS
24-		-ATTACHING PARTS-		
-7	50875	Bolt, AN4-6	4	
	54400	Nut, AN310-4	4	
	55675	Cotter, AN380-2-2	4	
-8	51026	Bolt, AN4-14A	4	
	55399	Nut, AN365-428	4	
	58770	Washer, AN960-416L	4	
		----*----		
-9	35106	Fairlead Assembly	2	
		-ATTACHING PARTS-		
-10	56837	Screw, AN526-832-8	4	
	55549	Nut, AN365-832	4	
		----*----		
-11	35012	Bellcrank Assembly, Flap and Aileron	2	
		-ATTACHING PARTS-		
-12	51450	Bolt, AN4-40	2	
	54400	Nut, AN310-4	2	
	58760	Washer, AN960-416	2	
	55675	Cotter, AN380-2-2	2	
	35016	Sleeve	2	
		----*----		
-13	50075	Bolt, AN3-7	4	
	54375	Nut, AN310-3	4	
	58740	Washer, AN960-10	24	
	55675	Cotter, AN380-2-2	4	
-14	52081	Stop Bolt, AN5-37	2	
	58781	Washer, AN960-516L	2	
	54425	Nut, AN310-5	2	
	55675	Cotter, AN380-2-2	2	
-15	35100	Rod Assembly, Aileron Control	2	
		-ATTACHING PARTS-		
-16	50100	Bolt, AN3-10	4	
	58740	Washer, AN960-10	4	
	54375	Nut, AN310-3	4	
		----*----		

- Indicates Not Illustrated

*Illustrated Parts Catalog*

Albany Plant  
 One Rockwell Avenue  
 Albany, Georgia 31702 • 912/435-6161  
 Cable Address: AEROCOM-Albany

FIG. & INDEX	PART NUMBER	NOMENCLATURE	NO. REQ.	EFFECTIVE SERIALS
25-		<u>NOSE GEAR AND ENGINE MOUNT</u>		
-	37009	Nose Gear and Engine Mount Assembly -ATTACHING PARTS-	1	
-1	52926	Bolt, AN7-35	4	
	58760	Washer, AN960-716	4	
	54475	Nut, AN310-7	4	
	65770	Cotter, MS24665-304	4	
-2	J-7402-26	Mount, Lord ----*----	4	
-	37012	. Shimmy Damper, Assembly -ATTACHING PARTS-	1	
-	50902	Bolt, AN4-7A	1	
	58760	Washer, AN960-416	4	
	55399	Nut, MS20365-428	1	
-3	50900	Bolt, AN4-7	1	
	58772	Washer, AN960-416L	1	
	54400	Nut, AN310-4	1	
	55675	Pin, AN380-2-2 ----*----	1	
-4	37065	.. Shimmy Damper Nose Gear	1	
-5	37019	.. Clamp Assembly -ATTACHING PARTS-	1	
-6	59631	Screw, AN507-832-12	1	
	55549	Nut, MS20365-832 ----*----	1	
-7	57553	. Core, High Pressure Valve, AN809-1	1	
	57555	. Cap, High Pressure Valve, MS20813-1	1	
	57554	. Body, High Pressure Valve, AN812-1	1	
	58175	. Gasket, AN900-8	1	
-8	37020	. Bracket Assembly	1	
-9	37027	. Tube, N.L.G. -ATTACHING PARTS-	1	
-10	50929	Bolt, AN4H-5A	3	
	58770	Washer, AN960-416L ----*----	3	
-11	37525	. Shim	1	
-12	37064	. Steering Stop Collar -ATTACHING PARTS-	1	
-13	66500	Set Screw, MS51048	3	
	54700	Nut, AN316-4 ----*----	3	

- Indicates Not Illustrated

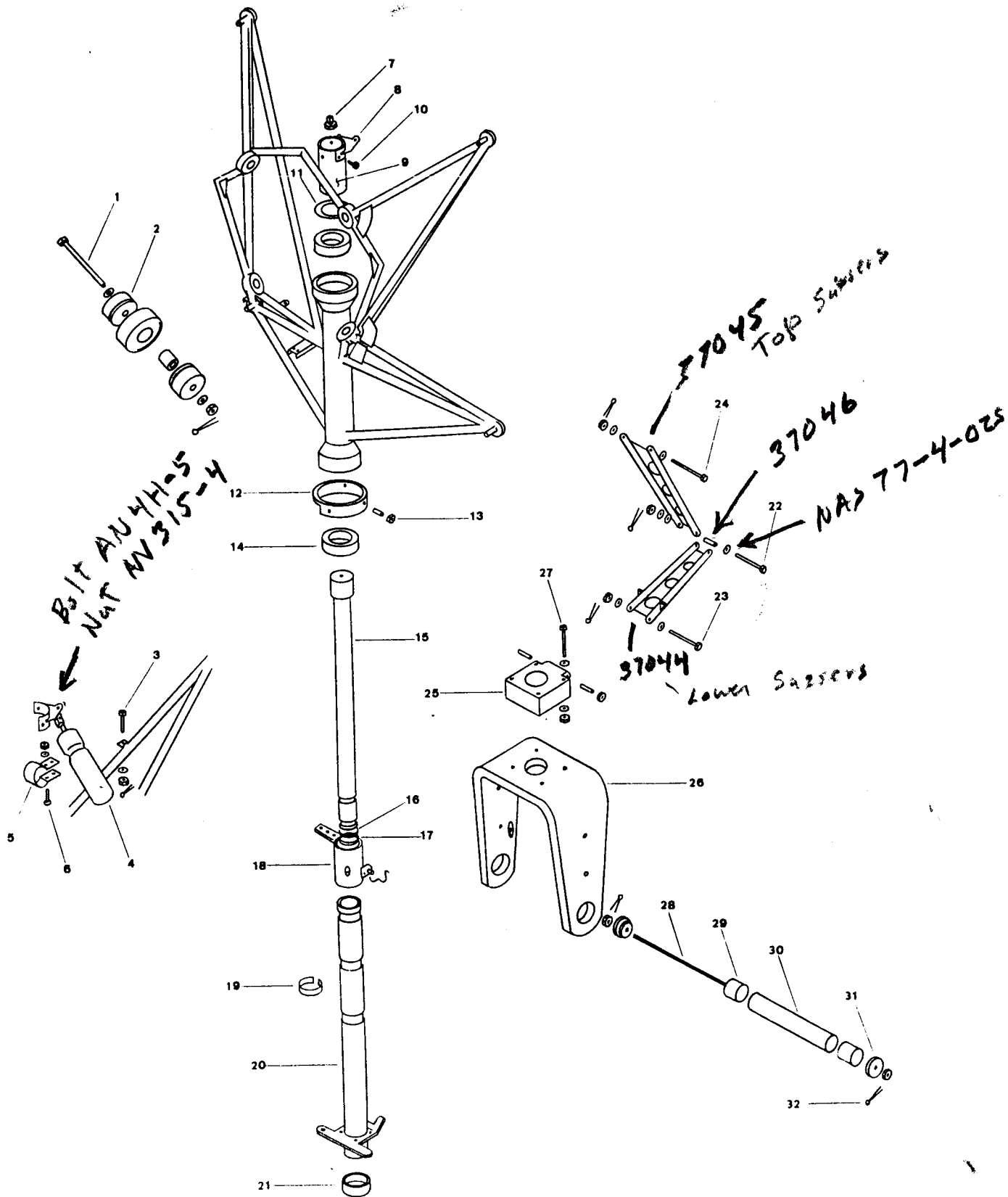


FIGURE 25

NOSE GEAR AND  
ENGINE MOUNT.  
LARK COMMANDER

*Illustrated Parts Catalog*

Albany Plant  
 One Rockwell Avenue  
 Albany, Georgia 31702 • 912/435-8161  
 Cable Address: AEROCOM-Albany

FIG. & INDEX	PART NUMBER	NOMENCLATURE	NO. REQ.	EFFECTIVE SERIALS
25-				
-14	60231	.Bearing - Fafnir 9110-PP	2	
-	37011	Shock Unit Assembly, N.G.	1	
-15	37022	.Piston Assembly, N.L.G.	1	
-16	58932	.O-Ring, AN6227-21	2	
-17	37028	.Lock Ring, N.L.G.	1	
-18	37023	.Tube Assembly	1	
-19	37026	.Ring, N.L.G.	3	
-20	37021	.Cylinder Assembly Nose Gear	1	
-21	37029	.Bushing, N.L.G.	1	
-	37025	.Scissor Assembly, N.L.G.	1	
		<del>-ATTACHING PARTS-</del>		
-22	54220	Bolt, AN174-17	1	
	58772	Washer, AN960-416L	1	
	54400	Nut, AN310-4	1	
	55675	Cotter, AN380-2-2	1	
	68285	Bearing, NAS77-4-25	2	
-23	54223	Bolt, AN175-26	1	
	54425	Nut, AN310-5	1	
	58760	Washer, AN960-416	1	
	55675	Cotter, AN380-2-2	1	
-24	54224	Bolt, AN174-26	1	
	58760	Washer, AN960-416	1	
	54400	Nut, AN310-4	1	
	55675	Cotter, AN380-2-2	1	
		----*----		
-25	37024	.Boss Assembly	1	
-26	37013	Fork Assembly, Nose Gear	1	
		-ATTACHING PARTS-		
-27	51801	Bolt, AN5-21A	4	
	55424	Nut, AN365-524	4	
		----*----		
-28	37016	Rod Axle, Nose Gear	1	
-29	37015	Spacer, Nose Gear Axle	2	
-30	37014	Axle, Nose Gear	1	
		-ATTACHING PARTS-		
-31	37017	End Cap, Axle, Nose Gear	2	
-32	55675	Cotter, MS24665-2-2	2	
	54425	Nut, AN310-5	2	
		----*----		

- Indicates Not Illustrated

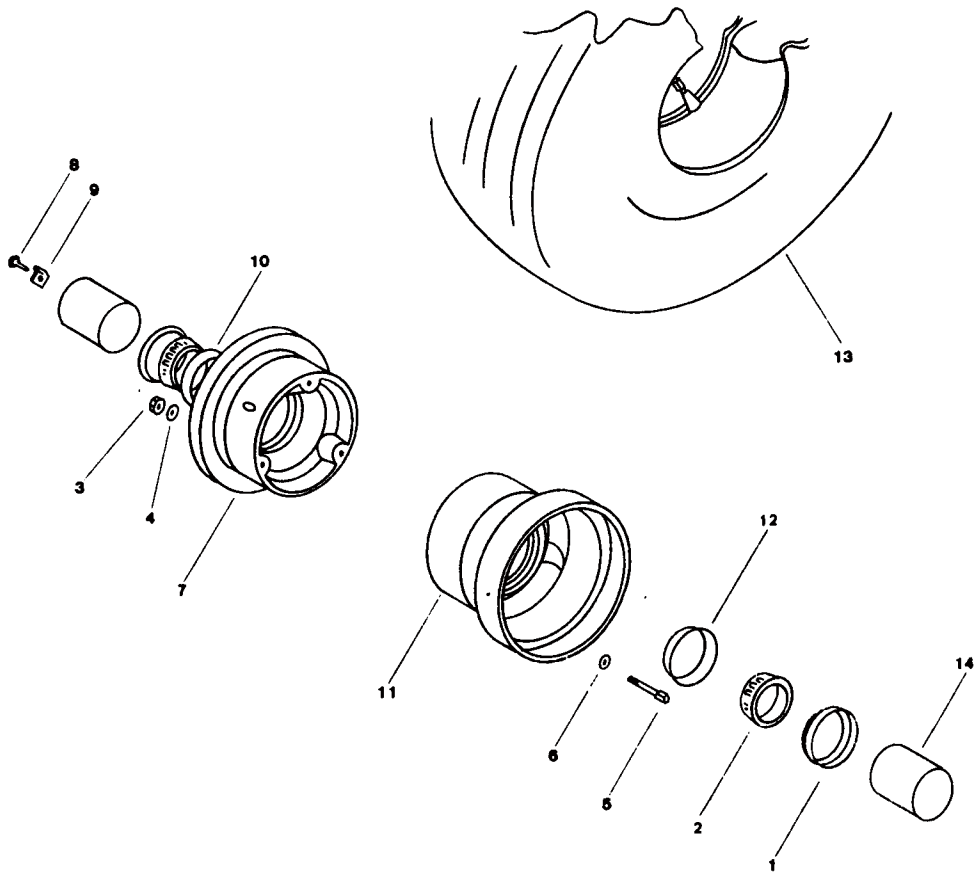


FIGURE 26

70

NOSE WHEEL.  
LARK COMMANDER



*Illustrated Parts Catalog*

Albany Plant  
 One Rockwell Avenue  
 Albany, Georgia 31702 • 912/435-6161  
 Cable Address: AEROCOM-Albany

FIG. & INDEX	PART NUMBER	NOMENCLATURE	NO. REQ.	EFFECTIVE SERIALS
26-		<u>NOSE WHEEL</u>		
-	9532186	Wheel Assembly, Nose - Goodyear	1	
-1	9524218	.Seal, Bearing - Goodyear	2	
-2	13889	.Cone, Bearing - Goodyear	2	
-3	22FH-428	.Nut - Goodyear	3	
-4		.Washer, MS20002-4	3	
-5		.Bolt, NAS114-23	3	
-6		.Washer, MS20002-C4	3	
-7	9524318	.Wheel, Outboard - Goodyear	1	
-8		..Screw, AN504-8R8	1	
-9	9524491	..Clip - Goodyear	1	
-10	13830	..Cup, Bearing - Goodyear	1	
-11	9524203	.Wheel, Inboard - Goodyear	1	
-12	13830	..Cup, Bearing - Goodyear	1	
-13	9532186	Tire - Goodyear	1	
-14	37015	Spacer, Nose Gear Axle	2	
27-		<u>MAIN LANDING GEAR</u>		
-	37001-1/2	Main Landing Gear Inst., Left (-1),Right (-2)	2	
		-ATTACHING PARTS-		
-	37135	Hinge Pin	1	
-	50201	Bolt, AN3-14A	1	
-	55599	Nut, MS20365-1032	1	
-	58740	Washer, AN960-10	1	
-1	51750	Bolt, AN5-17	2	
	58780	Washer, AN960-516	2	
	65078	Nut, MS20365-516	2	
-2	65781	Cotter, MS24665-289	2	
-3	33220	Retainer Ring	2	
		----*----		
-4	37136	.Link	1	
		-ATTACHING PARTS-		
-5	37143	Pin	1	
-6	65768	Cotter, MS24665-287	1	
		----*----		
-	37100-1/2	Main Landing Gear Assy., Left (-1),Right (-2)	2	
-7	37106	.Clevis Assembly	1	
-8	37550	.Shim, M.G.	AR	
-	37552	.Shim, M.G.	AR	

- Indicates Not Illustrated

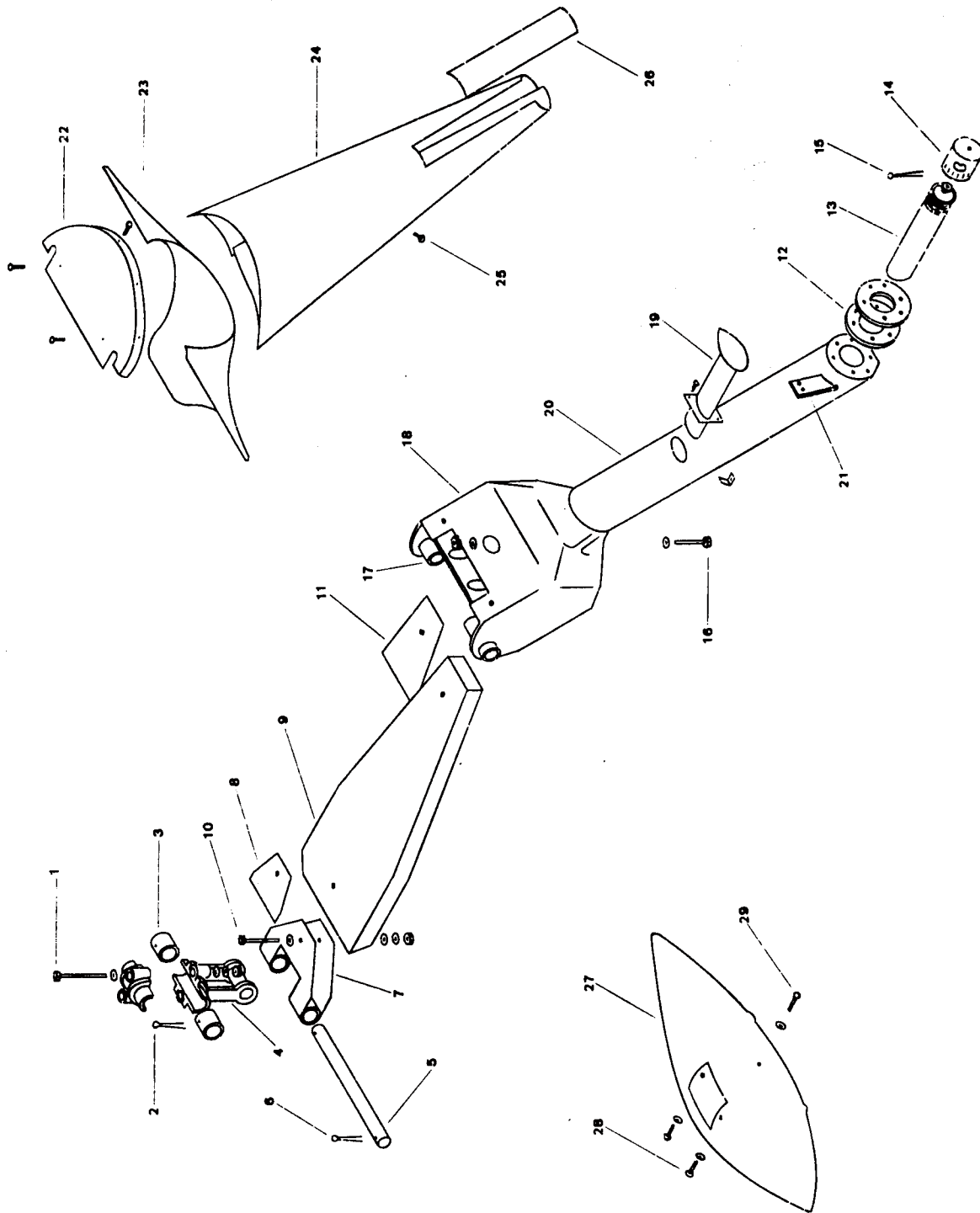


FIGURE 27

MAIN LANDING  
GEAR.  
LARK COMMANDER

*Illustrated Parts Catalog*

Albany Plant

One Rockwell Avenue

Albany, Georgia 31702 • 912/435-6161

Cable Address: AEROCOM-Albany

FIG. & INDEX	PART NUMBER	NOMENCLATURE	NO. REQ.	EFFECTIVE SERIALS
27-				
-9	37105	.Spring	1	
		-ATTACHING PARTS-		
-10	52426	Bolt, AN6-21A	1	
	65077	Nut, MS20365-624	1	
	58790	Washer, AN960-616	1	
		----*----		
-11	37549	.Shim, M.G.	1	
-	37551	.Shim, M.G.	1	
-12	37107	.Spacer, Main Landing Gear	1	
-13	37152	.Spacer, M.G. Axle	1	
-14	37108	.Nut Assembly	1	
-15	65780	.Cotter, MS24665-378	1	
-	37101-1/2	.Strut Assembly, Left (-1), Right (-2)	2	
		-ATTACHING PARTS-		
-16	52751	Bolt, AN7-21A	1	
	55499	Nut, MS20365-720	1	
	58800	Washer, AN960-716	1	
-	50952	Bolt, AN4-H-11A	6	
	58760	Washer, AN960-416	6	
	65520	Safety Wire, MS20995-C32	AR	
		----*----		
-17	37120	..Bushing	2	
-18	37121	..Plate, M.L.G.	1	
-	37114	..Plate	1	
-	37113	..Plate, M.L.G.	1	
-	37115	..Plate, M.L.G.	1	
-19	37110	..Step Assembly	1	
-20	37111	..Tube	1	
-21	37146	..Plate	1	
-	37099-1/2	Main L.G. Fairing Inst., Left (-1), Right (-2)	2	
-22	37103	.Cover	1	
-23	37098	.Belly Fairing	1	
-24	37109	.Fairing, Strut	1	
		-ATTACHING PARTS-		
-25	56938	Screw, AN530-8R-6	9	
	59029	Tinn. Nut, A-1274-8Z1	9	
		----*----		
-26	37104	.Splice Plate	1	
-27	37102-1/2	.Wheel Fairing Assy., Left (-1), Right (-2)	2	
		-ATTACHING PARTS-		
-	37060	Support Assembly	1	
-	50026	Bolt, AN3-5A	2	

- Indicates Not Illustrated

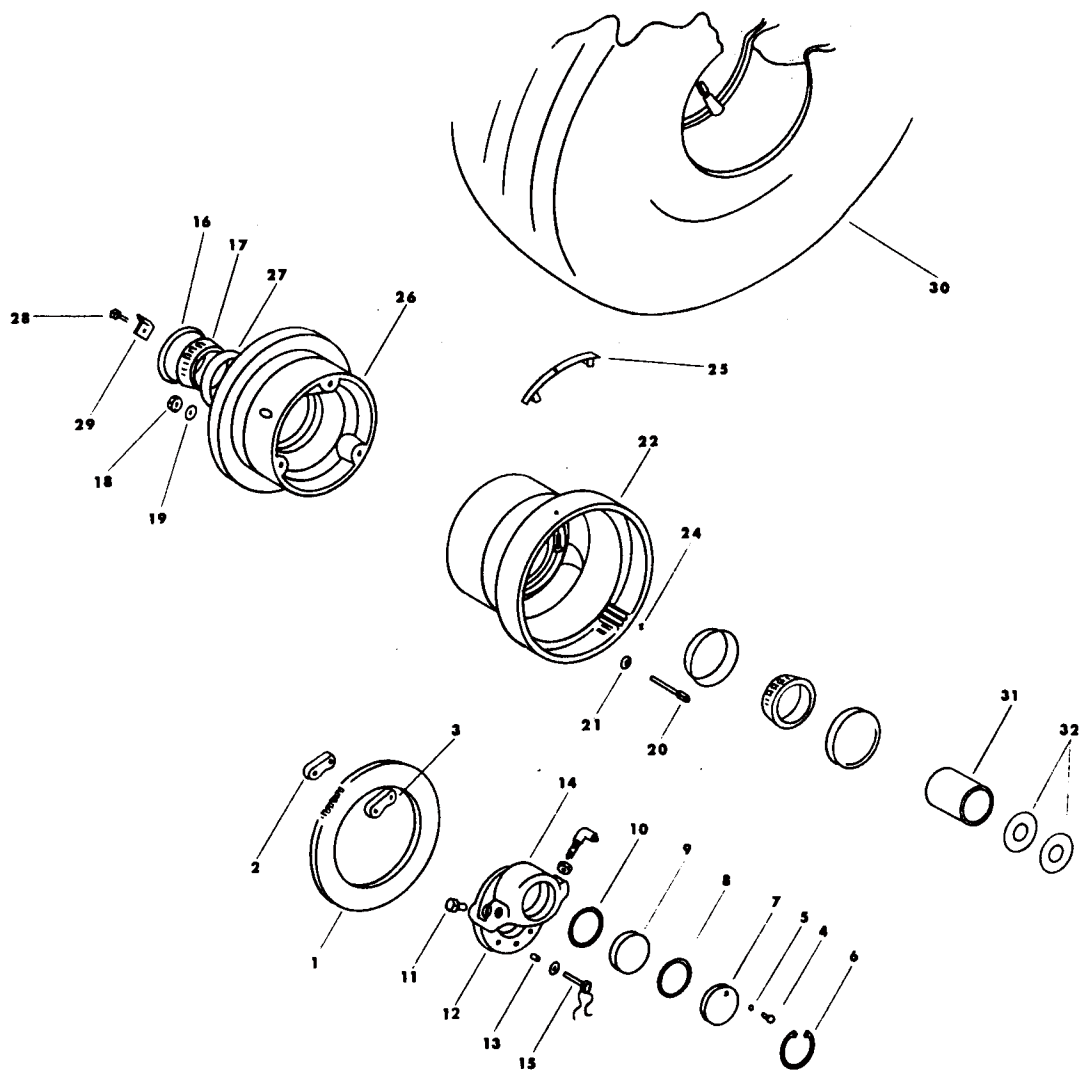


FIGURE 28

*Illustrated Parts Catalog*

Albany Plant  
 One Rockwell Avenue  
 Albany, Georgia 31702 • 912/435-6161  
 Cable Address: AEROCOM-Albany

FIG. & INDEX	PART NUMBER	NOMENCLATURE	NO. REQ.	EFFECTIVE SERIALS
27-				
-	58740	Washer, AN960-10	2	
-28	56555	Screw, AN509-10R-12	2	
	55599	Nut, MS20365-1032	2	
	58740	Washer, AN960-10	2	
-29	68293	Screw, NAS623-4-3	1	
	58772	Washer, AN960-416L	1	
		----*----		
28-		<u>BRAKE SYSTEM - WHEELS AND BRAKES</u>		
-	9543772	Brake Assembly - Goodyear	2	
-1	9532277	.Disc, Brake - Goodyear	1	
-2	9511271	.Lining, Anvil - Goodyear	1	
-3	9511269	.Lining, Piston - Goodyear	1	
-4		.Screw, AN502-10-6	1	
-5	511846-4	.Washer - Goodyear	1	
-6		.Ring, Retainer, NAS669-212	1	
-7	9524343	.Head, Cylinder - Goodyear	1	
-8	AN6230B3	.Seal, Cylinder	1	
-9	9524223	.Piston - Goodyear	1	
-10	AN6230B2	.Seal, Piston O-Ring	1	
-11	9520448	.Plug, Inlet - Goodyear	1	
-12		.Gasket, Inlet, MS28778-4	3	
-13	9525231	.Bushing, Mounting Bolt - Goodyear	4	
-14	9543787	.Housing, Brake - Goodyear	1	
		-ATTACHING PARTS-		
-15	50977	Bolt, AN4H-12A	6	
	58760	Washer, AN960-416	6	
		----*----		
-	9532522	Wheel Assembly, Main - Goodyear	2	
-16	9524218	.Seal, Bearing - Goodyear	2	
-17	13889	.Cone, Bearing - Goodyear	2	
-18		.Nut - Goodyear, 22FH-428	3	
-19		.Washer, MS20002-4	3	
-20		.Bolt, NAS144-23	3	
-21		.Washer, MS20002C4	3	
-22	9524201	.Wheel, Inboard - Goodyear	1	
-23	13830	..Cup, Bearing - Goodyear	1	
-24		..Rivet, MS20426DD6	3	
-25	9525059	..Clip, Disc - Goodyear	3	

- Indicates Not Illustrated

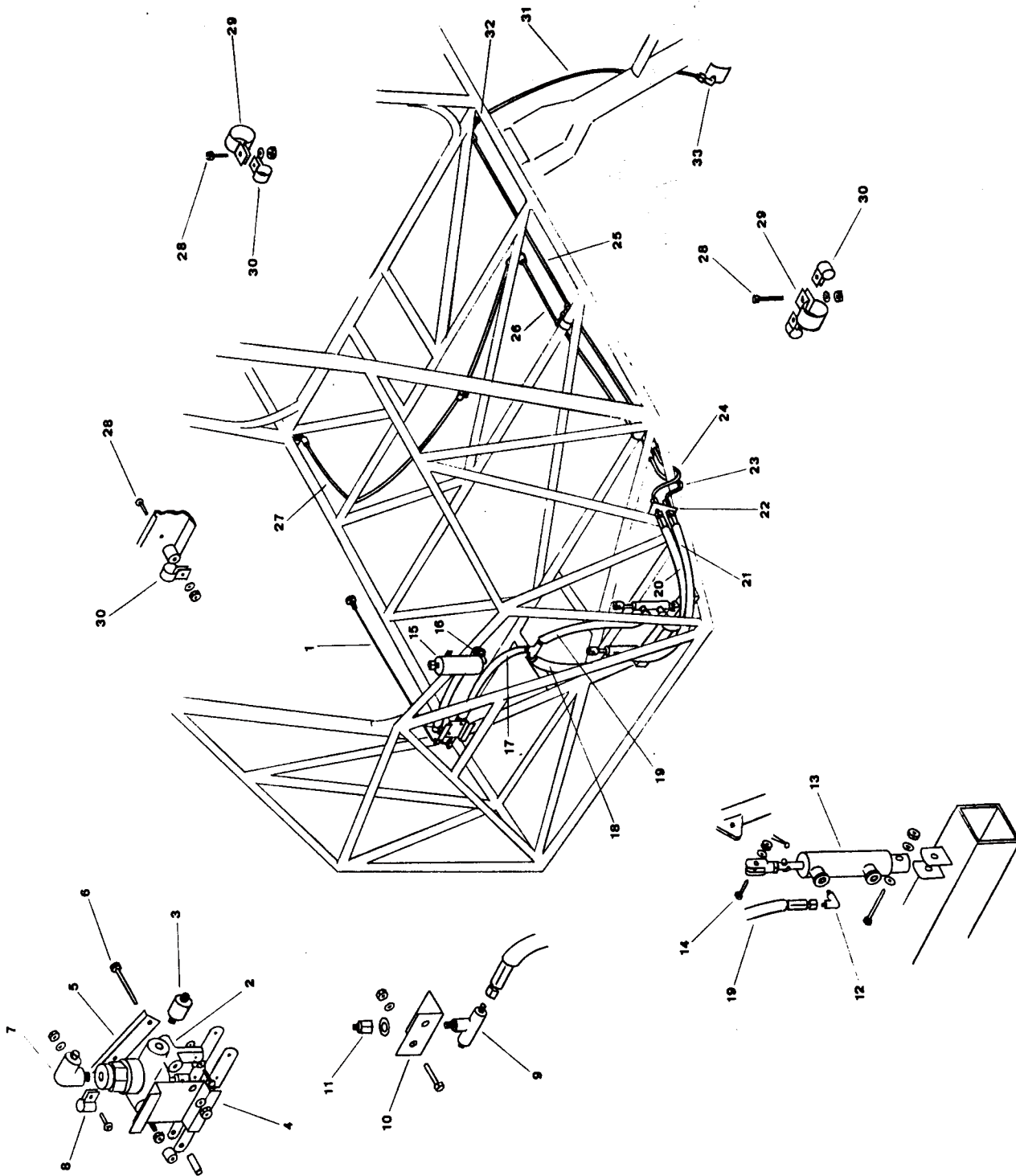


FIGURE 29

BRAKE SYSTEM -  
ROUTING.  
LARK COMMANDER

*Illustrated Parts Catalog*

Albany Plant  
 One Rockwell Avenue  
 Albany, Georgia 31702 • 912/435-8161  
 Cable Address: AEROCOM-Albany

FIG. & INDEX	PART NUMBER	NOMENCLATURE	NO. REQ.	EFFECTIVE SERIALS
28-				
-26	9524318	.Wheel, Outboard - Goodyear	1	
-27	13830	..Cup, Bearing - Goodyear	1	
-28		..Screw, AN504-8R8	1	
-29	9524491	..Clip, Valve - Goodyear	1	
-30	9532522	Tire - Goodyear	2	
-31	37152	Spacer, M.G. Axle	1	
-32	37107	Spacer, Main Landing Gear	2	
29-		<u>BRAKE SYSTEM-ROUTING</u>		
-1	61058	Park Control - Shakespeare 3A1514	1	
-2	63927	Scott Aviation Co. Valve #4500 A1	1	
-3	57605	Nipple, AN816-4D	1	
-4	37507	Bracket	1	
-5	37508	Bracket	1	
-6	50151	-ATTACHING PARTS- Bolt, AN3-12A	2	
	54548	Nut, AN315-3	2	
	66135	Washer, MS35337-43	2	
		----*----		
-7	57770	Elbow, MS20822-4D	1	
-8	57463	Clamp, AN742-D4	1	
	59656	Screw, AN520-10R8	1	
	55125	Nut, MS20345-10	1	
	66135	Washer, MS35337-43	1	
-9	58053	Tee, AN834-4D	1	
-10	36452	Bracket	1	
-11	58390	Nut, AN924-4D	1	
-12	58088	Elbow, MS20844-4D	4	
-13	61076	Brake Cylinder, VI-15-625	2	
		-ATTACHING PARTS-		
-14	50075	Bolt, AN3-7	4	
	54375	Nut, AN310-3	4	
	65745	Cotter, MS24665-132	4	
	58740	Washer, AN960-10	4	
		----*----		
-15	36442	Reservoir Brake Fluid	1	
-16	37500	Tube Assembly	1	
-17	37501	Tube Assembly	1	
-18	40113	Hose - Stratoflex #11417-4-0160	1	

- Indicates Not Illustrated

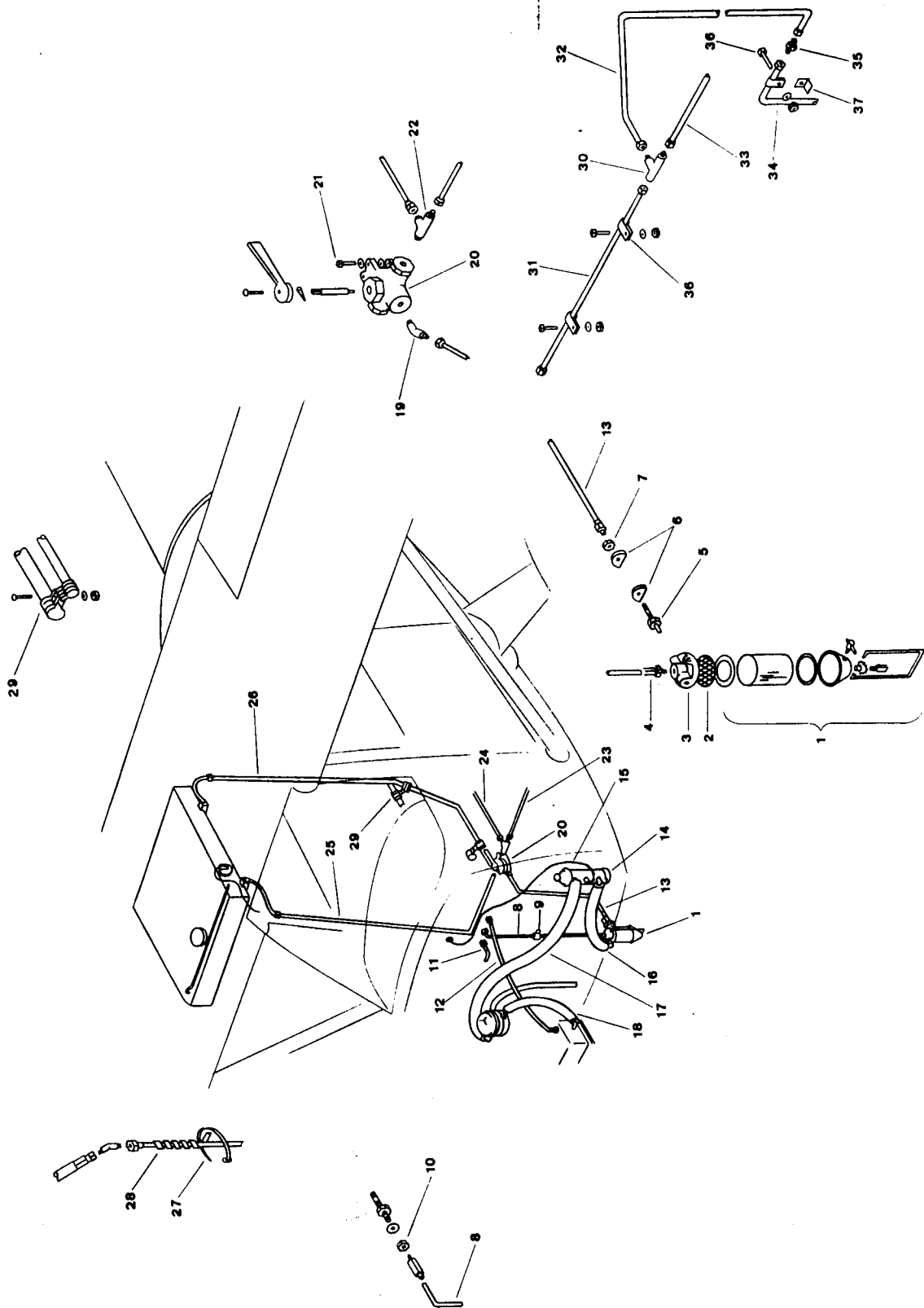
*Illustrated Parts Catalog*

Albany Plant  
 One Rockwell Avenue  
 Albany, Georgia 31702 • 912/435-8161  
 Cable Address: AEROCOM-Albany

FIG. & INDEX	PART NUMBER	NOMENCLATURE	NO. REQ.	EFFECTIVE SERIALS
29-				
-19	40114	Hose - Stratoflex #11417-4-0180	1	
-20	40113	Hose - Stratoflex #11417-4-0160	1	
-21	40117	Hose - Stratoflex #11417-4-0240	1	
-22	33764	Plate	1	
-23	37503	Tube Assembly	1	
-24	37502	Tube Assembly	1	
-25	37504	Tube Assembly	1	
-26	37505	Tube Assembly	1	
-27	37506	Tube Assembly	1	
		-ATTACHING PARTS-		
-28	59656	Screw, AN520-10R8	4	
	55125	Nut, MS20345-10	4	
	66135	Washer, MS35337-43	4	
-29	57451	Clamp, AN742-D16C	3	
-30	57395	Clamp, AN742-D6C	5	
		---*---		
-31	40118	Hose - Stratoflex #111417-4-0330	1	
		-ATTACHING PARTS-		
-32	57411	Clamp, AN742D-10C	2	
	59657	Screw, AN520-10-8	2	
	58740	Washer, AN960-10	2	
	55599	Nut, MS20365-1032	2	
-33	58037	Elbow, AN833-4D	1	
	58938	O-Ring, AN6227-8	1	
	58390	Nut, AN924-4D	1	
		---*---		
-	65004	Tyrap TY 25M	AR	
30-		<u>FUEL SYSTEM-ROUTING</u>		
-1	36040	Fuel Filter Assembly	1	
-2	62974	Screen - Kem 130P	1	
-3	61098	Cover - Kem 500PB	1	
-4	57585	Nipple, AN816-2D	1	
-5	36039	Adapter Assembly	1	
-6	36015	Washer	2	
-7	58409	Nut, AN924-8	1	
-8	36041	Primer Intake Line	1	
		-ATTACHING PARTS-		
-9	57381	Clamp, AN742-D4C	1	
	56844	Screw, AN526-1032-8	1	

- Indicates Not Illustrated





**FIGURE 30**

FUEL SYSTEM —  
ROUTING.  
LARK COMMANDER

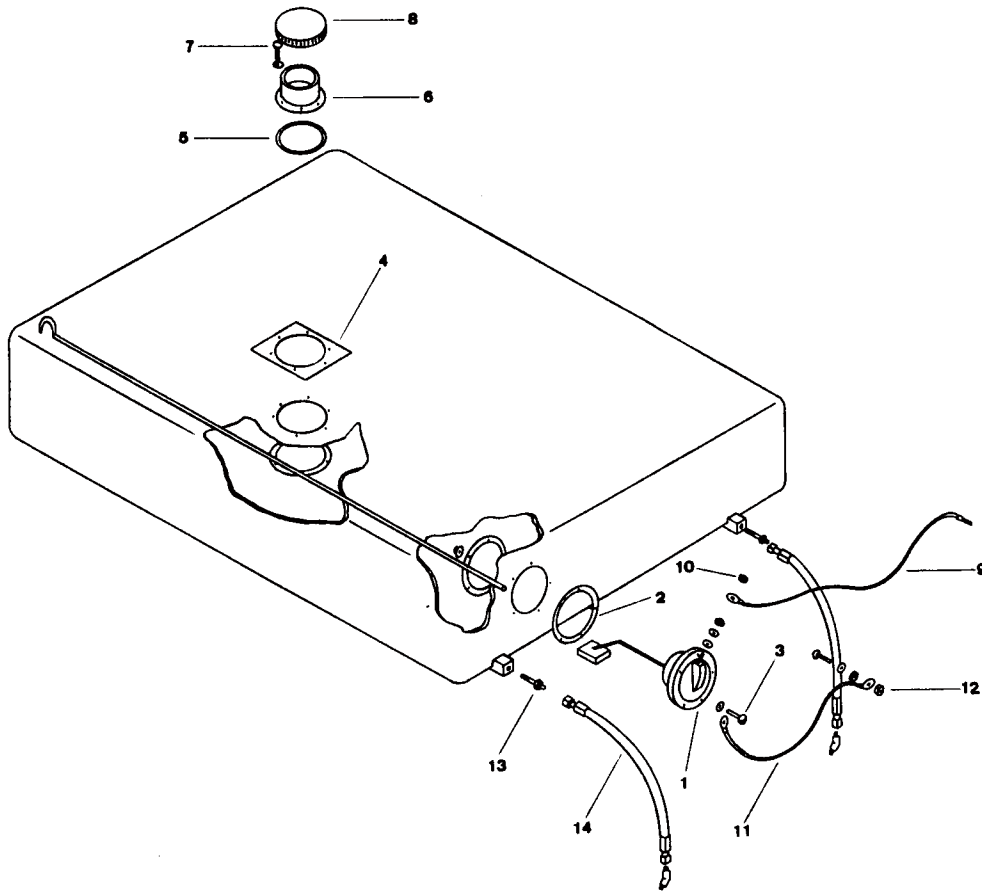
*Illustrated Parts Catalog*

Albany Plant  
 One Rockwell Avenue  
 Albany, Georgia 31702 • 912/435-6161  
 Cable Address: AEROCOM-Albany

FIG. & INDEX	PART NUMBER	NOMENCLATURE	NO. REQ.	EFFECTIVE SERIALS
30-	58750	Washer, AN960-10L	1	
	55599	Nut, MS20365-1032	1	
-10	57999	Union, AN832-2	3	
	58781	Washer, AN960-516L	3	
	58369	Nut, AN924-2	3	
		----*----		
-11	36043	Tube Assembly	1	
-12	36047	Tube Assembly	1	
		-ATTACHING PARTS- (see Fig. 30-10)		
		----*----		
-13	36027	Tube Assembly	1	
-14	62550	Fuel Pump - Bendix #478360	1	
-15	38136	Wire, Fuel Pump Sw. to Fuel Pump	1	
-16	40112	Hose Assembly - Stratoflex #130F001-6-0120	1	
-17	40111	Hose Assembly - Stratoflex #130F001-6-0300	1	
-18	40112	Hose Assembly - Stratoflex #130F001-6-0120	1	
-19	57960	Elbow, AN823-8D	1	
-20	36031	Valve Assembly Fuel Selector <i>IMPERIAL EASTMAN</i>	1	
		-ATTACHING PARTS-		
-21	50902	Bolt, AN4-7A	2	
	58760	Washer, AN960-416	2	
	55399	Nut, AN365-428	2	
		----*----		
-22	57990	Tee, AN826-8D	2	
-23	36018	Tube Assembly	1	
-24	36021	Tube Assembly	1	
-25	36019	Tube Assembly	1	
-26	36020	Tube Assembly	1	
		-ATTACHING PARTS-		
-27	45669	Tyrap - Thomas & Betts TY-23M-6	AR	
-28	64005	Line Faying - Amp Spirap	AR	
-29	57411	Clamp, AN742D10C	6	
	57441	Clamp, AN742D14C	2	
	56870	Screw, AN526-1032-12	4	
	58750	Washer, AN960-10L	4	
	55599	Nut, AN365-1032	4	
		----*----		
-30	59443	Union Tee - Imperial Eastman 264-P <sup>1</sup> / <sub>4</sub>	1	
-31	36022	Tube	1	5001-5075
	36022-1	Tube	1	5076&up
-32	36024	Tube	1	

- Indicates Not Illustrated

**SPARE**



Wing Tank  
Custis Drain -

# CAU 160

FIGURE 31

*Illustrated Parts Catalog*

Albany Plant  
 One Rockwell Avenue  
 Albany, Georgia 31702 • 912/435-8181  
 Cable Address: AEROCOM-Albany

FIG. & INDEX	PART NUMBER	NOMENCLATURE	NO. REQ.	EFFECTIVE SERIALS
30-				
-33	36023	Tube	1	5001-5075
	36023-1	Tube	1	5076&up
-34	36049	Tube	1	
-35	61063	Union - Imperial Eastman 262-PC $\frac{1}{4}$	1	
		-ATTACHING PARTS-		
-36	57463	Clamp, AN742-D4	3	
	59656	Screw, AN520-1032-R8	3	
	58750	Washer, AN960-10L	3	
	55379	Nut, AN364-1032	3	
-37	36036	Clip	1	
		----*----		
		<u>FUEL SYSTEM-TANKS</u>		
31-				
-	36050-1	Fuel Tank Assembly, Left	1	
-	36050-2	Fuel Tank Assembly, Right	1	
-1	61794	.Fuel Sender - AC 5642767	1	
-2	36061	.Gasket	1	
		-ATTACHING PARTS-		
-3	56599	Screw, AN520-10-10	6	
	58630	Washer, AN936A10	6	
		----*----		
-4	32055	Gasket Fuel Filler	1	
-5	32054	Gasket Fuel Filler	1	
-6	32057	Filler Neck Fuel	1	
		-ATTACHING PARTS-		
-7	56599	Screw, AN520-10-10	6	
	58630	Washer, AN936A10	6	
		----*----		
-8	36059	Cap Fuel	1	
-9	38087	Wire, Sender to Wing Butt	1	
		-ATTACHING PARTS-		
-10	55060	Nut, AN341-10	2	
	58741	Washer, AN960A10	2	
		----*----		
-11	38067	Wire, Ground	1	
		-ATTACHING PARTS-		
-12	56834	Screw, AN526-832R6	1	
	58731	Washer, AN960A8	1	
	55059	Nut, AN341-8	2	
		----*----		

- Indicates Not Illustrated

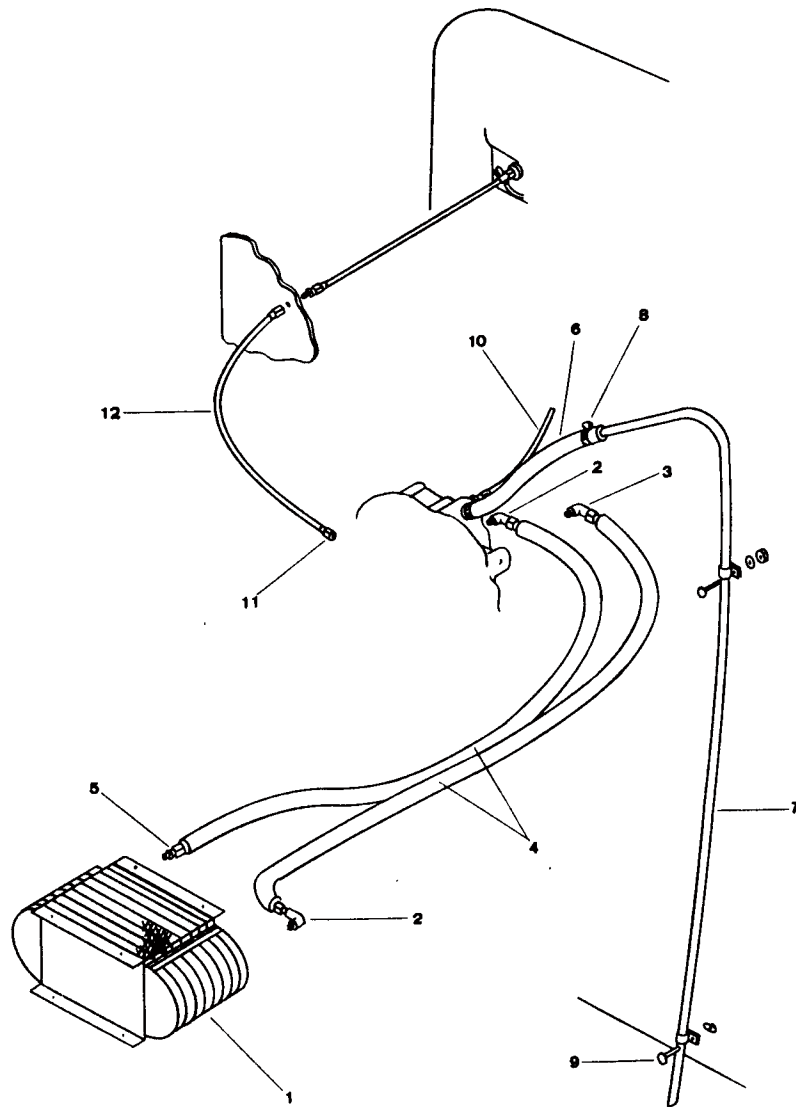


FIGURE 32

*Illustrated Parts Catalog*

Albany Plant  
 One Rockwell Avenue  
 Albany, Georgia 31702 • 912/435-6161  
 Cable Address: AEROCOM-Albany

FIG. & INDEX	PART NUMBER	NOMENCLATURE	NO. REQ.	EFFECTIVE SERIALS
31-				
-13	36032	Strainer Assembly, Fuel	2	
	57640	Nipple, AN816-8D	2	
-14	40078	Hose -.Stratoflex 130001-8D 8.00	2	
32-		<u>OIL SYSTEM</u>		
-1	61071	Oil Cooler - Harrison #8526250	1	
		-ATTACHING PARTS-		
-	50576	Bolt, AN3-41A	2	
-	50556	Bolt, AN3-40A	2	
-	58750	Washer, AN960-10L	4	
-	55599	Nut, AN365-1032	4	
-	36558	Spacer	4	
		----*----		
-2	57918	Fitting, MS20822-8B	2	
-3	57961	Fitting, MS20823-8	1	
-4	40077	Hose - Stratoflex 130F001-8D-0344	2	
-5	57630	Fitting, AN816-8B	1	
-6	36222	Hose	1	
-7	36453	Oil Breather	1	
		-ATTACHING PARTS-		
-8	60848	Clamp, QS200-M12S	1	
-9	56844	Screw, AN526-1032-8	2	
	58750	Washer, AN960-10L	AR	
	57441	Clamp, AN742-D14C	2	
		----*----		
-10	38197	Wire, Oil Temp. to Oil Temp. Sensor	1	
-11	57936	Elbow, AN823-2	1	
-12	36218	Tube Assembly	1	
33-		<u>ELECTRICAL SYSTEM-POWERPLANT</u>		
-1	38211	Wire, Alternator to Regulator	1	
-2	38202	Wire, Regulator to Alternator	1	
		-ATTACHING PARTS-		
-3	57451	Clamp, AN742-D16C	1	
	56859	Screw, AN526-1032-10	1	
	55599	Nut, MS20365-1032	1	
	58740	Washer, AN960-10	1	
		----*----		

-- Indicates Not Illustrated

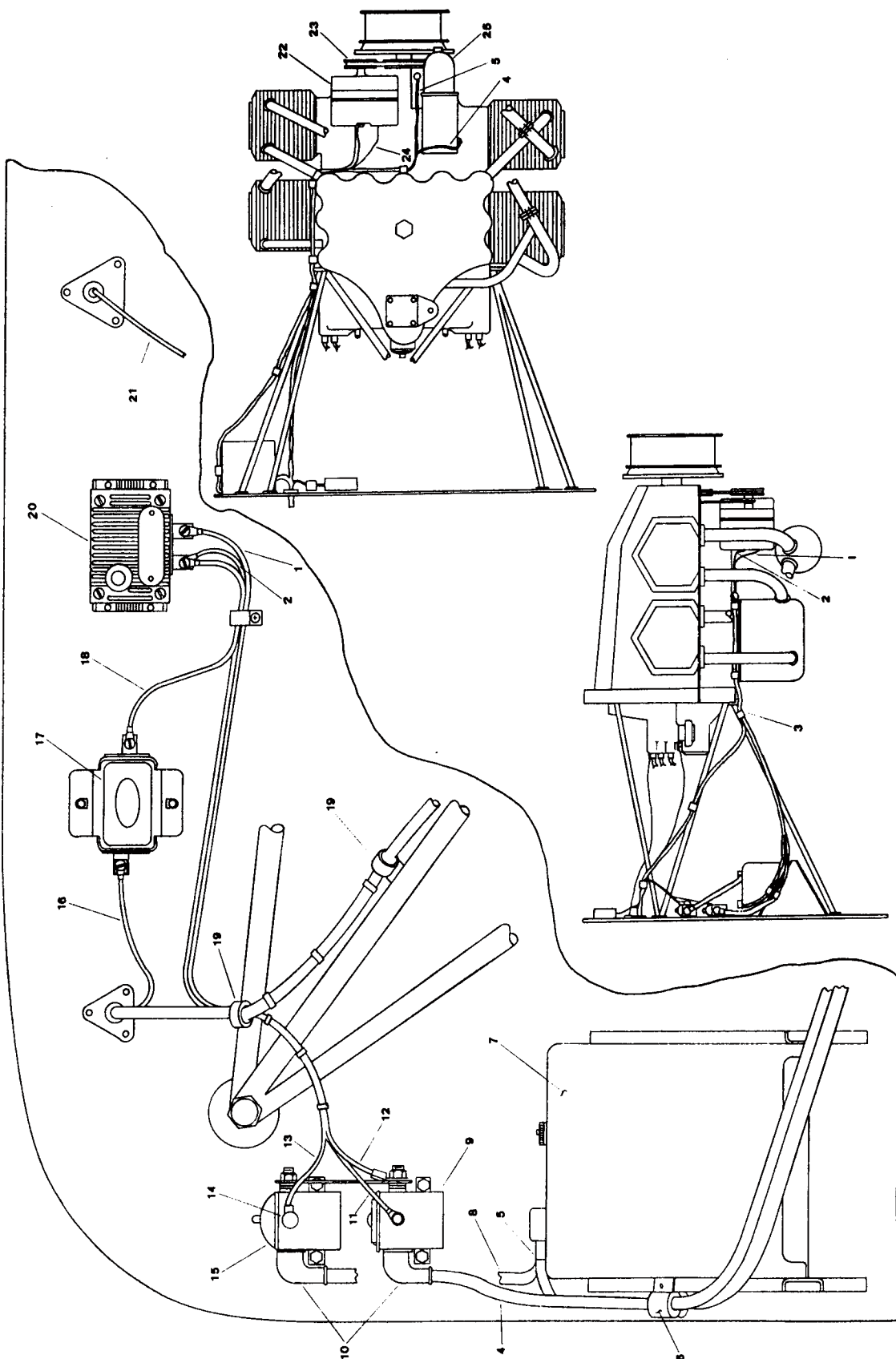


FIGURE 33



*Illustrated Parts Catalog*

Albany Plant  
 One Rockwell Avenue  
 Albany, Georgia 31702 • 912/435-8181  
 Cable Address: AEROCOM-Albany

FIG. & INDEX	PART NUMBER	NOMENCLATURE	NO. REQ.	EFFECTIVE SERIALS
33-				
-4	38190	Wire, Starter Solenoid to Starter	1	
-5	38187	Wire, Battery to Engine Ground	1	
		-ATTACHING PARTS-		
-6	57402	Clamp, AN742-DC8	2	
	56859	Screw, AN526-1032-10	2	
	58750	Washer, AN960-10L	2	
	55599	Nut, MS20365-1032	2	
		----*----		
-7	60079	Battery, Man.Vented - Exide AC66 (#62438)	1	
-8	38188	Wire, Battery Solenoid to Battery	1	
-9	63120	Starter Solenoid - Delco 146A	1	
-10	65800	Boot, MS25171-3S	1	
-11	38189	Wire, Starter Solenoid to Starter Switch	1	
-12	38215	Wire, Solenoid to Ammeter	1	
-13	38186	Wire, Battery Solenoid to Master Switch	1	
-14	65795	Boot, MS25171-1S	1	
-15	63125	Battery Solenoid - Prestolite 70-11226	1	
-16	38201	Wire, Over voltage Cont. to Master Switch	1	
-17	63949	Over Voltage Control - Wico # X16799	1	
-18	38210	Wire, Regulator to O.V. Cont. Unit	1	
-19	57411	Clamp, AN742-D10C	2	
	56859	Screw, AN526-1032-10	2	
	55599	Nut, MS20365-1032	2	
-20	63947	Volt Regulator - Prestolite VSF 7201	1	
-21	38182	Wire, Mag. Switch to R/H Mag.	1	
	38183	Wire, Mag. Switch to L/H Mag.	1	
-22	61666	Alternator - Prestolite ALE-8406	1	
-23		Drive Belt	1	
-24	38203	Wire, Alternator to Alt. Circuit Breaker	1	
-25		Starter - Prestolite MZ-4206	1	
34-		<u>ELECTRICAL SYSTEM-PANEL</u>		
-1	38192	Wire, Cigarette Lighter to Circuit Breaker	1	
-		Wire Harness		
		-ATTACHING PARTS-		
-2	57421	Clamp, AN742-D12C	4	
	56798	Screw, AN526-832-10	2	
	55618	Nut, AN366F-832	2	
		----*----		

- Indicates Not Illustrated

*Illustrated Parts Catalog*

Albany Plant  
 One Rockwell Avenue  
 Albany, Georgia 31702 • 912/435-6161  
 Cable Address: AEROCOM-Albany

FIG. & INDEX	PART NUMBER	NOMENCLATURE	NO. REQ.	EFFECTIVE SERIALS
34-				
-3	38196	Wire, Oil Temp. Cir.Brkr. to Oil Temp Gauge	1	
-4	38140	Wire, Glide Slope Cir. Brkr. to Radio Cutout	1	
-5	38142	Wire, DME Cir. Brkr. to Radio Cutout	1	
-6	38141	Wire, Marker Bea. Cir. Brkr. to Radio Cutout	1	
-7	35143	Wire, Audio Control Cir. Brkr. to Radio Cutout	1	
-8	38227	Buss Bar	1	
-9	38169	Wire, Buss Bar #1 to Buss Bar #2	1	
-10	38228	Buss Bar	1	
-11	38137	Wire, Nav. Comm.II Cir.Brkr. to Radio Cutout	1	
-12	38138	Wire, ADF Cir. Brkr. to Radio Cutout	1	
-13	38139	Wire, Nav. Comm.I Cir.Brkr. to Radio Cutout	1	
-14	38129	Wire, Vac. Lgt. Cir.Brkr. to High Vac. Lgt.	1	
-15	38205	Wire, Alt. Cir. Brkr. to Buss	1	
-16	38191	Wire, Starter Sw. to Cir. Brkr.	1	
-17	38200	Wire, Mas. Sw. to Field Cir. Brkr.	1	
-18	38203	Wire, Atl. to Alt. Cir. Brkr.	1	
-19	38216	Wire, Sub Panel to Panel Gnd.	1	
-20	38198	Wire, Eng. Group Cir. Brkr. to R/H Fuel Gauge	1	
-21	38127	Wire, Stall Warn.Cir. Brkr. to Stall Warn.Lgt.	1	
-22	38135	Wire, Fuel Pump Cir.Brkr. to Fuel Pump Sw.	1	
-23	38232	Brkr. Assembly - Inst'l. Panel	1	
-24	38231	Brkr. Assembly - Inst'l. Panel	1	
-25	38156	Wire, Turn & Bank Cir.Brkr. to Turn & Bank Plug	1	
-26	38160	Wire, Rotating Bea. Cir.Brkr. to Beacon Sw.	1	
-27	38158	Wire, Ldg. Lgt. Cir.Brkr. to Ldg. Lgt. Sw.	1	
-28	38151	Wire, Post Lgt. Cir.Brkr. to Pos. Lgt. Sw.	1	
-29	38145	Wire, Inst.&Compass Cir.Brkr.to Pos.Lgt. Sw.	1	
-30	38204	Wire, Buss Bar to Ammeter	1	
-31	60442	C/P M1600T-5	3	
-32	60440	C/P M1600T-10	1	
-33	60476	C/P M1600T-40	1	
-34	60441	C/P M1600T-15	1	
-35	38122	Wire, Dimmer to Wires 38147,38148,38173	1	
-36	38148	Wire, Pos. Switch to Compass Lgt.	1	
-37	38173	Wire, Pos. Sw. to Tach Post Lgt.	1	
-38	38147	Wire, Rheostat Dimmer to Inst. Light	1	
-39	38146	Wire, Pos. Lgt. Sw. to Rheostat	1	
-40	38159	Wire, Ldg. Lgt. to L/H Wing Root	1	
-41	38161	Wire, Rot. Bea. Sw. to Wire 38162	1	
-42	38152	Wire, Post Lgt. Sw. to Wire 38084	1	
	38153	Wire, Post Lgt. Sw. to Wire 38166	1	

- Indicates Not Illustrated

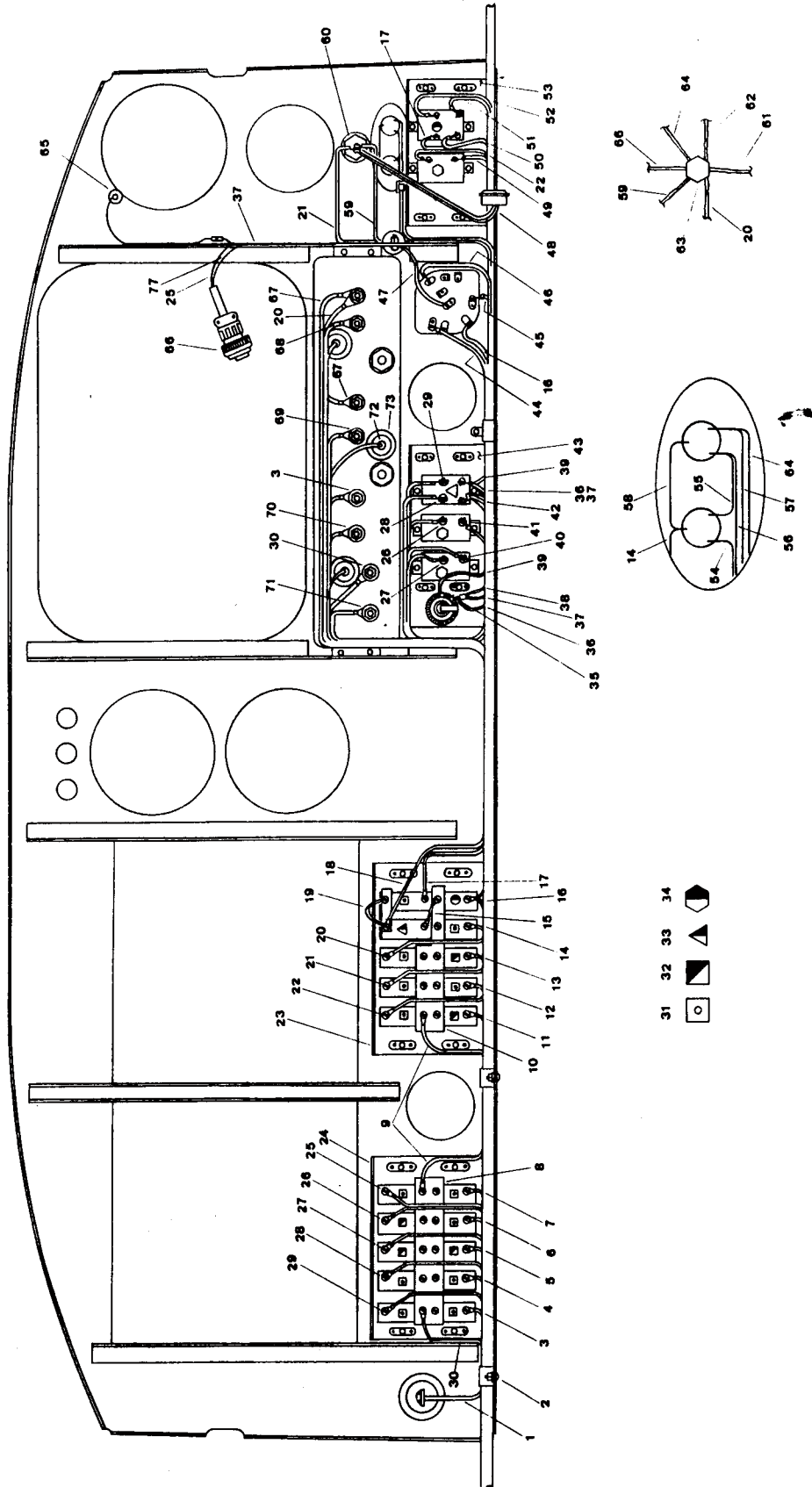


FIGURE 34

ELECTRICAL  
SYSTEM - PANEL  
LARK COMMANDER

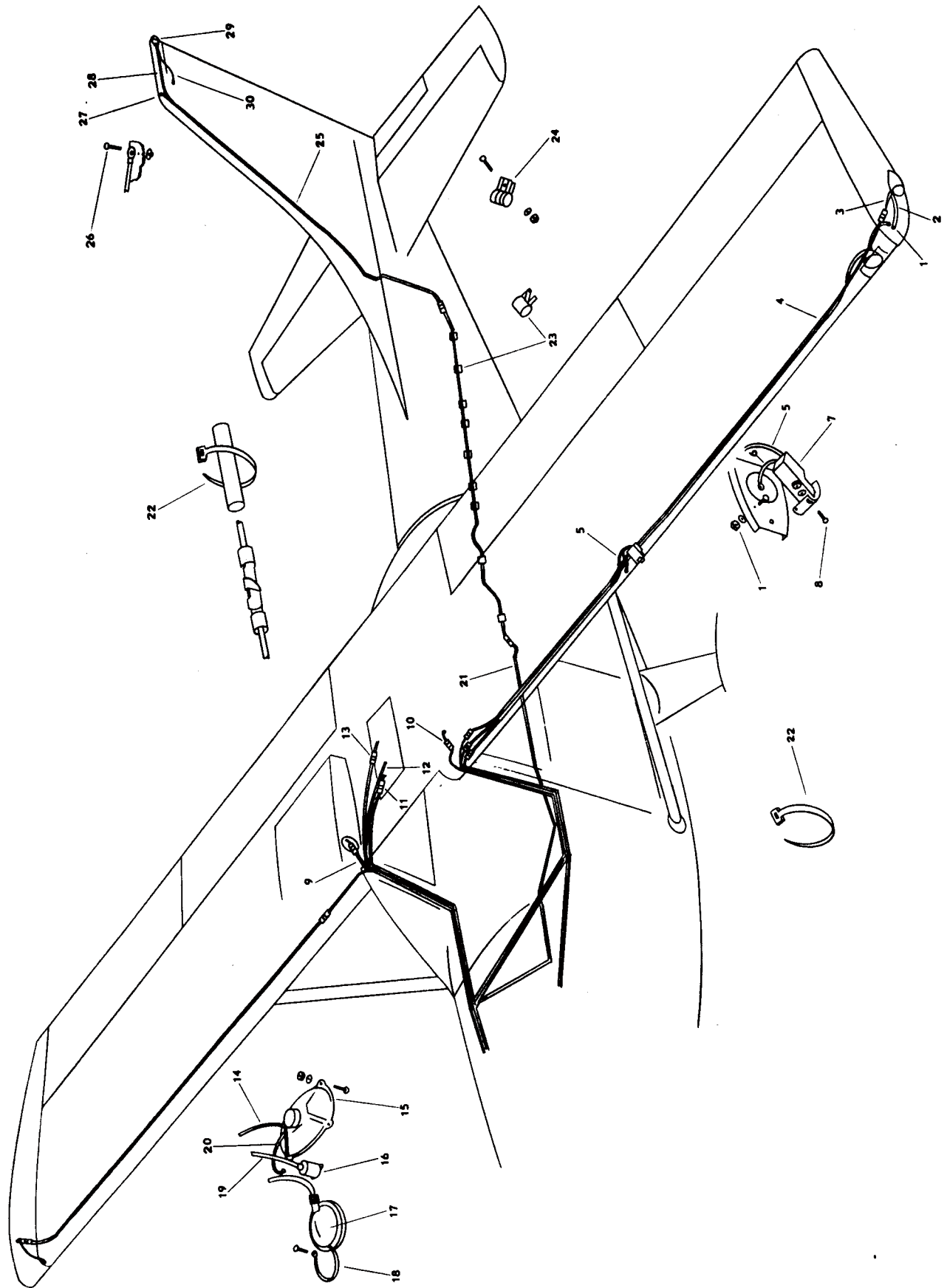
*Illustrated Parts Catalog*

Albany Plant  
 One Rockwell Avenue  
 Albany, Georgia 31702 • 912/435-6161  
 Cable Address: AEROCOM-Albany

FIG. & INDEX	PART NUMBER	NOMENCLATURE	NO. REQ.	EFFECTIVE SERIALS
34-				
-43	38234	Brkt. Assembly Inst'l. - Panel	1	
-44	38182	Wire, Mag. Sw. to R/H Mag.	1	
-45	38189	Wire, Starter Sol. to Starter Switch	1	
-46	38183	Wire, Mag. Sw. to L/H Mag.	1	
-47	38193	Wire, Mag. Sw. to Panel Gnd.	1	
-48	38176	Wire, Stall Warning Unit	1	
	38177	Wire, Stall Warning Unit	1	
-49	38136	Wire, Fuel Pump Sw. to Fuel Pump	1	
-50	38201	Wire, O.V. Cont. to Mas. Sw.	1	
-51	38185	Wire, Mas. Sw. to Panel Gnd.	1	
-52	38186	Wire, Bat. Sol. to Mas. Sw.	1	
-53	38236	Brkt. Assembly Inst'l., Panel	1	
-54	38132	Wire, LO. Vac. Lgt. to Vac. Sw.	1	
-55	38131	Wire, LO. Vac. Lgt. to High Vac. Light	1	
-56	38133	Wire, Vac. Sw. to High Vac. Lgt.	1	
-57	38172	Wire, High Vac. Lgt. to Panel Gnd.	1	
-58	38130	Wire, LW Vac. Lgt. to High Vac. Lgt.	1	
-59	38128	Wire, Stall Warn. Lgt. to L/H Wing Root	1	
-60	62185	Stall Warning #82-1312-0111-201	1	
-61	38134	Wire, Vac. Sw. to Panel Gnd.	1	
-62	38131	Wire, Lo Vac. Lgt. to High Vac. Lgt.	1	
		-ATTACHING PARTS-		
-63	56545	Screw, AN507-6R6	1	
	55476	Nut, MS20365-632C	1	
	58610	Washer, AN936-A6	1	
		----*----		
-64	38157	Wire, Turn Back Plug to Panel Gnd.	1	
-65	62180	Post Light - Grimes # A-8970-2-330	1	
-66	56940	Amphenol Plug, MS3106A-105L-3S	1	
-67	38126	Wire, L/H Fuel Gauge to R/H Fuel Gauge	1	
-68	38125	Wire, L/H Fuel Gauge to L/H Wing Root	1	
-69	38199	Wire, R/H Fuel Gauge to R/H Wing Root	1	
-70	38197	Wire, Oil Temp. to Oil Temp Sensor	1	
-71	38215	Wire, Sol. to Ammeter	1	
-72	63117	Socket Assembly - Stewart Warner 427157	3	5036&up
-73	60486	Bulb 12-16 V - Stewart Warner 96196	3	5036&up
-	1891	Bulb, Red Coated	3	5001-5035

- Indicates Not Illustrated

**SPARE**



**FIGURE 35**

ELECTRICAL  
SYSTEM-AIRFRAME.  
LARK COMMANDER

*Illustrated Parts Catalog*

Albany Plant  
 One Rockwell Avenue  
 Albany, Georgia 31702 • 912/435-6161  
 Cable Address: AEROCOM-Albany

FIG. & INDEX	PART NUMBER	NOMENCLATURE	NO. REQ.	EFFECTIVE SERIALS
35-		<u>ELECTRICAL SYSTEM - AIRFRAME</u>		
-1	56798	Screw, AN526-832-10	5	
	58731	Washer, AN960-A8	5	
	55618	Nut, AN366F-832	5	
-2	38097	Wire, Wing Pos. Light to Ground	2	
-3	38088	Wire, Wing Pos. Light Inboard	2	
-4	38084	Wire	2	
-5	38085	Wire, Stall Sensor Inboard	1	
-6	38043	Wire, Stall Sensor to Ground	1	
-7	61103	Lift Detector - 164	1	
		-ATTACHING PARTS-		
-8	56610	Screw, AN526-632-5	2	
	55474	Nut, AN365-632	2	
		----*----		
-9	38199	Wire, R/H Fuel Gauge to Wing Root	1	
-10	38125	Wire, L/H Fuel Gauge to Wing Root	1	
-11	38149	Wire, Rheostat Dimmer to Radio Light	1	
-12	38195	Wire, 38111 to Dome Light Sw.	1	
-13	38194	Wire, Dome Light Sw. to Cir. Brkr.	1	
-14	38086	Wire, Speaker to Wire 38038	1	
-15	63185	Speaker - Quam 69A1	1	
-16	63119	Socket and Light - LS6219	1	
-17	62247	Light - Grimes 15-0083-3	1	
-18	38195	Wire to Dome Light Switch	1	
-19	38111	Wire, Dome Light to Wire 38195	1	
-20	38061	Wire, Speaker Term to Radio Panel Ground	1	
-21	38161	Wire, Rot. Bea. Sw. to Wire 38162	1	
	38153	Wire, Pos. lgt. Sw. to Wire 38166	1	
-22	45667	Tyrap - Thomas & Betts TY23M	38	
-23	60823	Clamp - Tinn. A2828-022-16	10	
-24	57411	Clamp, AN742-D10C	2	
	56859	Screw, AN526-1032-10	2	
	58740	Washer, AN960-10	2	
	55599	Nut, MS20365-1032	2	
-25	38162	Wire, Wire 38161 to Wire 38163	1	
	38166	Wire, Wire 38153 to Wire 38167	1	
-26	56545	Screw, AN507-632-R6	2	
-27	38163	Wire, Wire 38162 to Rotating Beacon	1	
	38164	Wire, Rotating Beacon to Stab. Ground	1	
-28	38167	Wire, Wire 38166 to Tail Light	1	
-29	34082	Rud. Cap & Light Assembly	1	
-30	38168	Wire, Tail Light to Aft Fuselage Ground	1	

- Indicates Not Illustrated

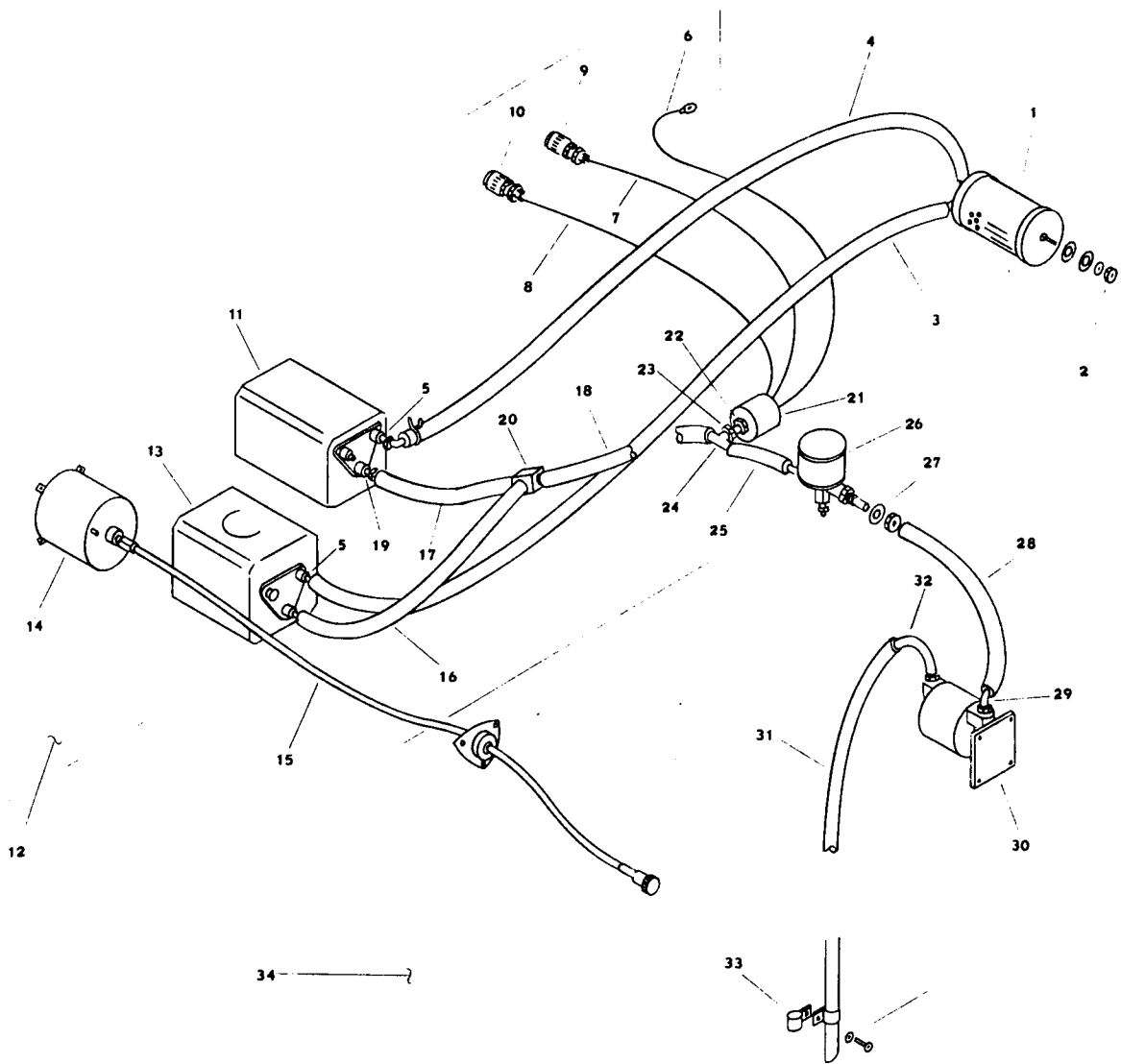


FIGURE 36



*Illustrated Parts Catalog*

Albany Plant  
 One Rockwell Avenue  
 Albany, Georgia 31702 • 912/435-6181  
 Cable Address: AEROCOM-Albany

FIG. & INDEX	PART NUMBER	NOMENCLATURE	NO. REQ.	EFFECTIVE SERIALS
36-		<u>VACUUM SYSTEM</u>		
-1	61435	Filter - Airborne 1L6-1	1	
		-ATTACHING PARTS-		
-2	58740	Washer, AN960-10	1	
	65076	Nut, MS20365-1032C	1	
		----*----		
-3	36292	Tube	1	
-4	36291	Tube	1	
		-ATTACHING PARTS-		
-5	59362	Fitting - Airborne 1K10-4-6	2	
-	60847	Clamp, Aero-Seal # QS100-M10S	4	
		----*----		
-6	38134	Wire, Vac. Sw. to Panel Gnd.	1	
-7	38133	Wire, Vac. Sw. to High Vac. Lgt.	1	
-8	38132	Wire, Lo Vac. Lgt. to Vac. Sw.	1	
-9	62231	High Vac. Warn. Light # VM911M4	1	
-10	62231	Lo Vac. Warn. Light # VM911M4	1	
-11	61689	Gyro Horizon - SP7582	1	
-12	38269	Inst. Inst'l., Panel	1	
-13	62019	Direction Gyro, SP7577	1	
-14	61889	Tachometer AC6411109	1	
-15	60644	Tachometer Cable AC1568860	1	
-16	36296	Tube	1	
-17	36297	Tube	1	
-18	36298	Tube	1	
		-ATTACHING PARTS-		
-19	59373	Fitting - Airborne 1K10-4-8	2	
-	60847	Clamp, Aero-Seal #QS100-M10S	6	
-20	59374	Tee - Airborne 1K14-8-8-8	1	
		----*----		
-21	62166	Vacuum Switch - Garwin #22-1280-06	1	
		-ATTACHING PARTS-		
-22	58281	Fitting, AN912-10	1	
-23	58181	Coupling, AN910-2D	1	
-	59373	Fitting - Airborne 1K10-4-8	1	
-	36294	Tube	1	
-24	59374	Tee - Airborne 1K14-8-8-8	1	
-	60847	Clamp, Aero-Seal # QS100-M10S	2	
		----*----		

- Indicates Not Illustrated

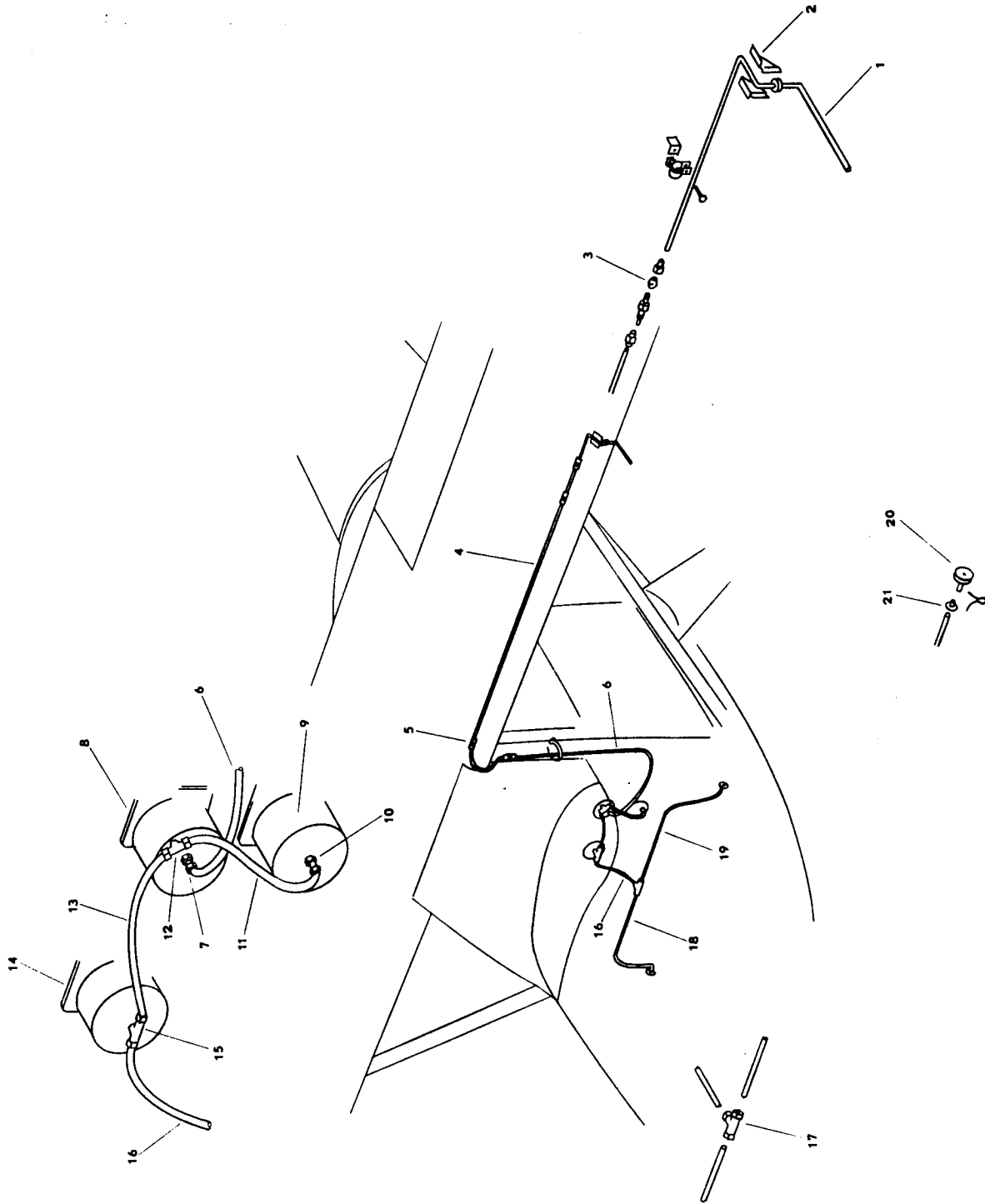


FIGURE 37

PITOT-STATIC  
SYSTEM.  
LARK COMMANDER

*Illustrated Parts Catalog*

Albany Plant  
 One Rockwell Avenue  
 Albany, Georgia 31702 • 912/435-6161  
 Cable Address: AEROCOM-Albany

FIG. & INDEX	PART NUMBER	NOMENCLATURE	NO. REQ.	EFFECTIVE SERIALS
36-				
-25	36299	Tube	1	
		-ATTACHING PARTS		
-	60847	Clamp, Aero-Seal # QS100-M10S	2	
		----*----		
-26	63938	Regulator Valve - Airborne #133A3	1	
		-ATTACHING PARTS-		
-27	36295	Washer Support	1	
		----*----		
-28	36223	Hose	1	
		-ATTACHING PARTS-		
-29	59365	Fitting - Airborne 1K1-6-10	1	
		----*----		
-30	62541	Vacuum Pump - Airborne #200CC	1	
-31	36220	Hose	1	
		-ATTACHING PARTS-		
-32	59363	Fitting - Airborne 1K8-6-8	1	
-33	57411	Clamp, AN742-D10C	2	
	56844	Screw, AN526-1032-8	1	
	58750	Washer, AN960-10L	1	
		----*----		
-34	36011	Firewall Assembly	1	
37-		<u>PITOT - STATIC SYSTEM</u>		
-1	38501	Pitot Tube	1	
		-ATTACHING PARTS-		
-2	38502-1/2	Bracket, Left (-1), Right (-2)	2	
-3	61063	Union - I.E. 262PC	1	
		----*----		
-4	38509	Tube, Wing Root to Pitot	1	
		-ATTACHING PARTS-		
-5	61063	Union - I.E. 262PC	1	
		----*----		
-6	38505	Tube, Airspeed to Wing Root	1	
-7	38504	Connector, Airspeed Indicator	1	
-8	62018	Airspeed - Aeromarine 544B-2	1	
-9	61840	Vertical Speed - Standard Precision #SP-1403	1	
-10	61064	Connector - I.E. 268P	1	
-11	38506	Tube, Airspeed to R/C	1	
-12	38504	Connector, Airspeed Indicator	1	
-13	38508	Tube, A/S to Altimeter	1	

- Indicates Not Illustrated

*Illustrated Parts Catalog*

Albany Plant

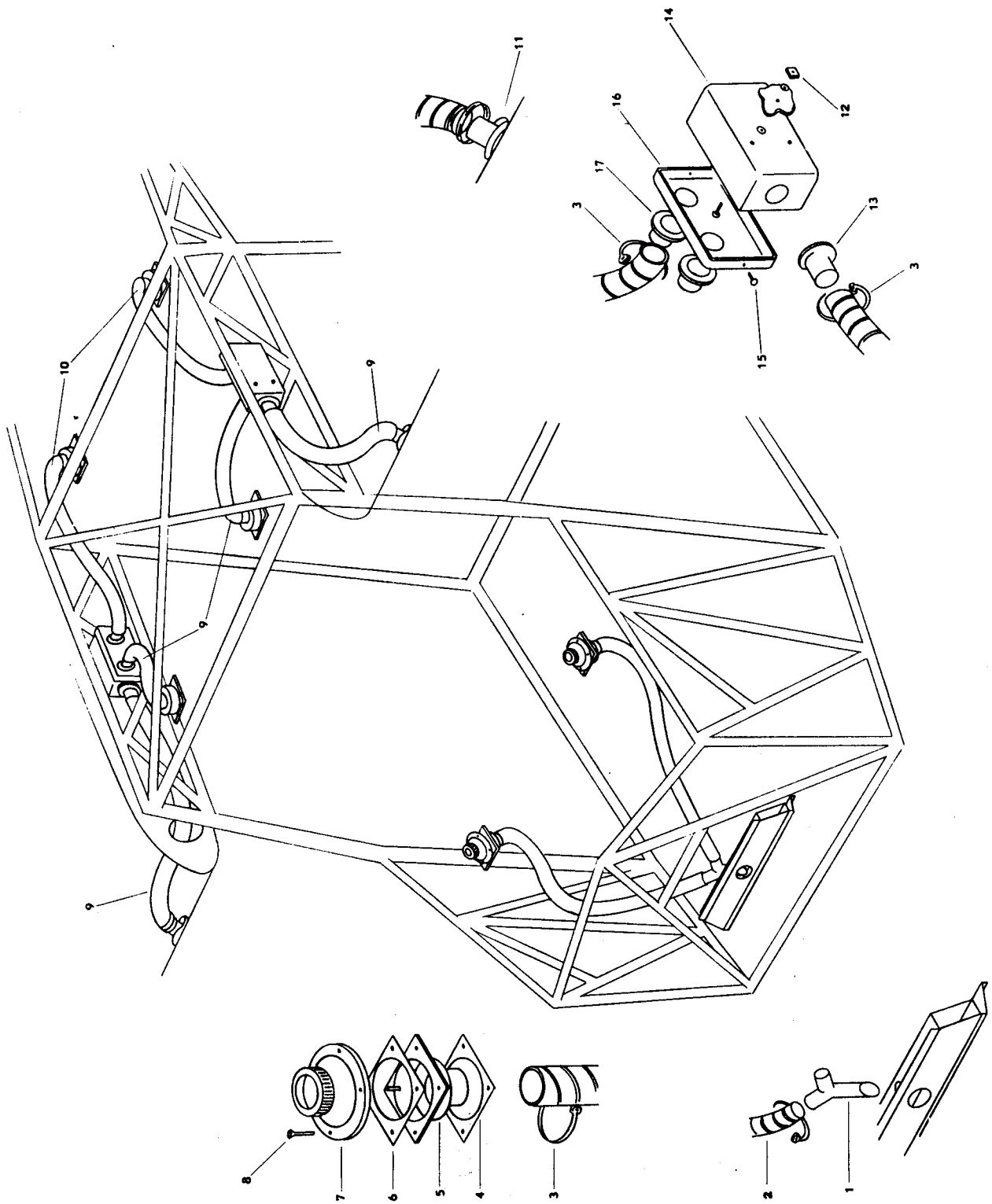
One Rockwell Avenue

Albany, Georgia 31702 • 912/435-8161

Cable Address: AEROCOM-Albany

FIG. & INDEX	PART NUMBER	NOMENCLATURE	NO. REQ.	EFFECTIVE SERIALS
37-				
-14	61783	Altimeter - Karnish #700-256 (AC-157)	1	
-15	59411	Tee - I.E. 272P	1	
-16	38510	Tube, Altimeter to Vent "T"	1	
-17	59443	Tee - I.E. 264P	1	
-18	38507	Tube, Left Hand Vent	1	
-19	38511	Tube, Right Hand Vent	1	
-20	38512	Static Vent, Pitot System	2	
		-ATTACHING PARTS-		
-21	59473	Push Nut - Tinn. A1493-012-3	2	
		----*----		
38-		<u>INTERIOR - VENT AND DEFROST</u>		
-1	36252	Adapter Assembly	1	
-2	36259	Hose	2	
		-ATTACHING PARTS-		
-3	45668	Tyrap - Thomas & Betts TY25M	4	
		----*----		
-	36246	Bracket Assembly	6	
-4	36240	.Retainer	1	
-5	36241	.Adapter	1	
-6	36247	.Retainer	1	
-7	63946	Valve - Wemac #2215	6	
		-ATTACHING PARTS-		
-8	59637	Screw, AN507-832-R-8	4	
		----*----		
-9	36260	Hose	4	
-10	36258	Hose	2	
		-ATTACHING PARTS-		
-3	45668	Tyrap - Thomas & Betts TY25M	12	
		----*----		
-11	36256	Adapter	2	
-	36261	Box Assembly	2	
		-ATTACHING PARTS-		
-12	59682	Screw, AN530-8-8	2	
	59455	Nut, NAS446-4	2	
	58718	Washer, AN960-8	2	
		----*----		
-13	36265	.Tube Flanged	1	
-14	36263-1/2	.Box, Left (-1), Right (-2)	1	

- Indicates Not Illustrated



**FIGURE 38**

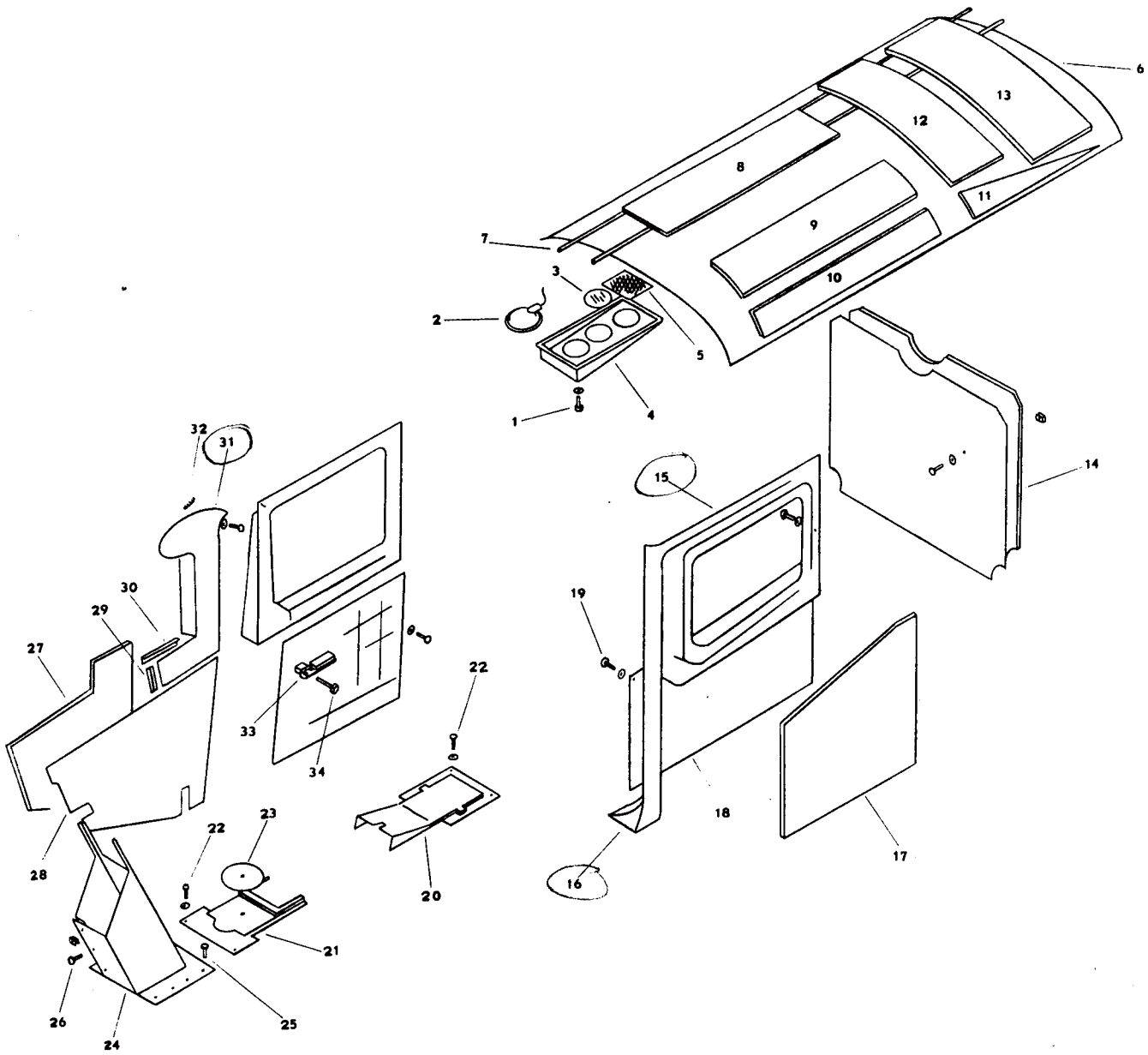
INTERIOR —  
VENT AND DEFROST.  
LARK COMMANDER

*Illustrated Parts Catalog*

Albany Plant  
 One Rockwell Avenue  
 Albany, Georgia 31702 • 912/435-6161  
 Cable Address: AEROCOM-Albany

FIG. & INDEX	PART NUMBER	NOMENCLATURE	NO. REQ.	EFFECTIVE SERIALS
38-				
-	36262	Cover Assembly	2	
		-ATTACHING PARTS-		
-15	56936	Screw, AN530-6-4	2	
		----*----		
-16	36264	.Cover	1	
-17	36266	.Tube Flanged	2	
39-		<u>INTERIOR - UPHOLSTERY</u>		
-	38291	Panel, Radio Speaker Installation	1	
		-ATTACHING PARTS-		
-1	68051	Screw, NAS385-6-10	5	
	68620	Washer, NAS391-6	5	
		----*----		
	38285	.Radio Panel, Cover Assembly	1	
-2	62247	..Lamp - Grimes 15-0083-3	1	
-3	38287	..Lens, Radio Panel Cover	1	
-4	38286	..Cover, Radio Panel	1	
-5	38288	..Grill Cloth, Radio Panel Cover	1	
-6	31425	Headliner	1	
-7	31424	Rod, Interior	4	
-8	31327	Panel Cabin Insulation	1	
-9	31326	Panel Cabin Insulation	2	
-10	31332-1/2	Panel Cabin Insulation, Left (-1), Right (-2)	2	
-11	31328-1/2	Panel Cabin Insulation, Left (-1), Right (-2)	2	
-12	31333	Panel Cabin Insulation	1	
-13	31334	Panel Cabin Insulation	1	
-14	31321	Panel Cabin Insulation	1	
65 200 45 10	-15	31415-1/2	Cover Top Rear, Left (-1), Right (-2)	2
	-16	31420-1/2	Cover Door Post Rear, Left (-1), Right (-2)	2
	-17	31323-1/2	Panel Cabin Insulation Inst., Left (-1), Right (-2)	2
	-18	31403-1/2	Panel Assembly, Rear Side, Left (-1), Right (-2)	2
		-ATTACHING PARTS-		
-19	68051	Screw, NAS385-6-10	5	
	68620	Washer, NAS391-6	5	
		----*----		
-20	31436	Closure, Housing	1	
-21	31437	Closure, Housing	1	
		-ATTACHING PARTS-		
-22	59192	Screw, PK 6x $\frac{1}{2}$	4	
		----*----		

- Indicates Not Illustrated



**FIGURE 39**

*Illustrated Parts Catalog*

Albany Plant  
 One Rockwell Avenue  
 Albany, Georgia 31702 • 912/435-8161  
 Cable Address: AEROCOM-Albany

FIG. & INDEX	PART NUMBER	NOMENCLATURE	NO. REQ.	EFFECTIVE SERIALS
39-				
-23	36028	Placard	1	
-24	31438	Cover Control Column Assembly	1	
		-ATTACHING PARTS-		
-25	59196	Screw, PK 8x $\frac{1}{2}$	10	
-26	57401	Clamp, AN742-D8	1	
	56606	Screw, AN526R10-10	2	
	55599	Nut, MS20365-1032	2	
		----*----		
-27	31330-1/2	Panel Cabin Insulation, Left (-1), Right (-2)	2	
-28	31407-1/2	Panel Assembly Forward, Left (-1), Right (-2)	2	
-	31417-1/2	Trim Strip Interior, Left (-1), Right (-2)	2	
-29	31418-1/2	Trim Strip Interior, Left (-1), Right (-2)	2	
-30	31419-1/2	Trim Strip Interior, Left (-1), Right (-2)	2	
35 -31	31416-1/2	Pane, Interior, Left (-1), Right (-2)	2	
		-ATTACHING PARTS-		
32	33863	Spring Front Seat	2	
	55975	Pin, AN393-11	2	
		----*----		
-33	62623	Arm Rest - General Motors #6284811	1	
-	60057	Ashtray - General Motors #4790111	1	
		-ATTACHING PARTS-		
-34	56605	Screw, AN526-428 R 28.	2	
	66590	Screw, MS35493-9-253	1	
		----*----		
40-		<u>INTERIOR - CARPET &amp; DECK COVERS</u>		
-1	31399	Pad, Rear Deck	1	
-2	31401	Windlace, Rear Deck	1	
-3	31400	Cover, Rear Deck	1	
-4	31458	Strip, Front Deck	1	
		-ATTACHING PARTS-		
-5	59676	Screw, AN530-6-R6	8	
		----*----		
-6	31396-1/2	Cover, Front Deck, Left (-1), Right (-2)	2	
-7	31394-1/2	Pad, Front Deck, Left (-1), Right (-2)	2	
-	31398	Windlace, Front Deck	1	
-8	31340	Assembly, Windlace to Front Deck Cover	1	
-9	31393	Pad, Front Deck	1	
-10	31444	Carpet	2	

- Indicates Not Illustrated



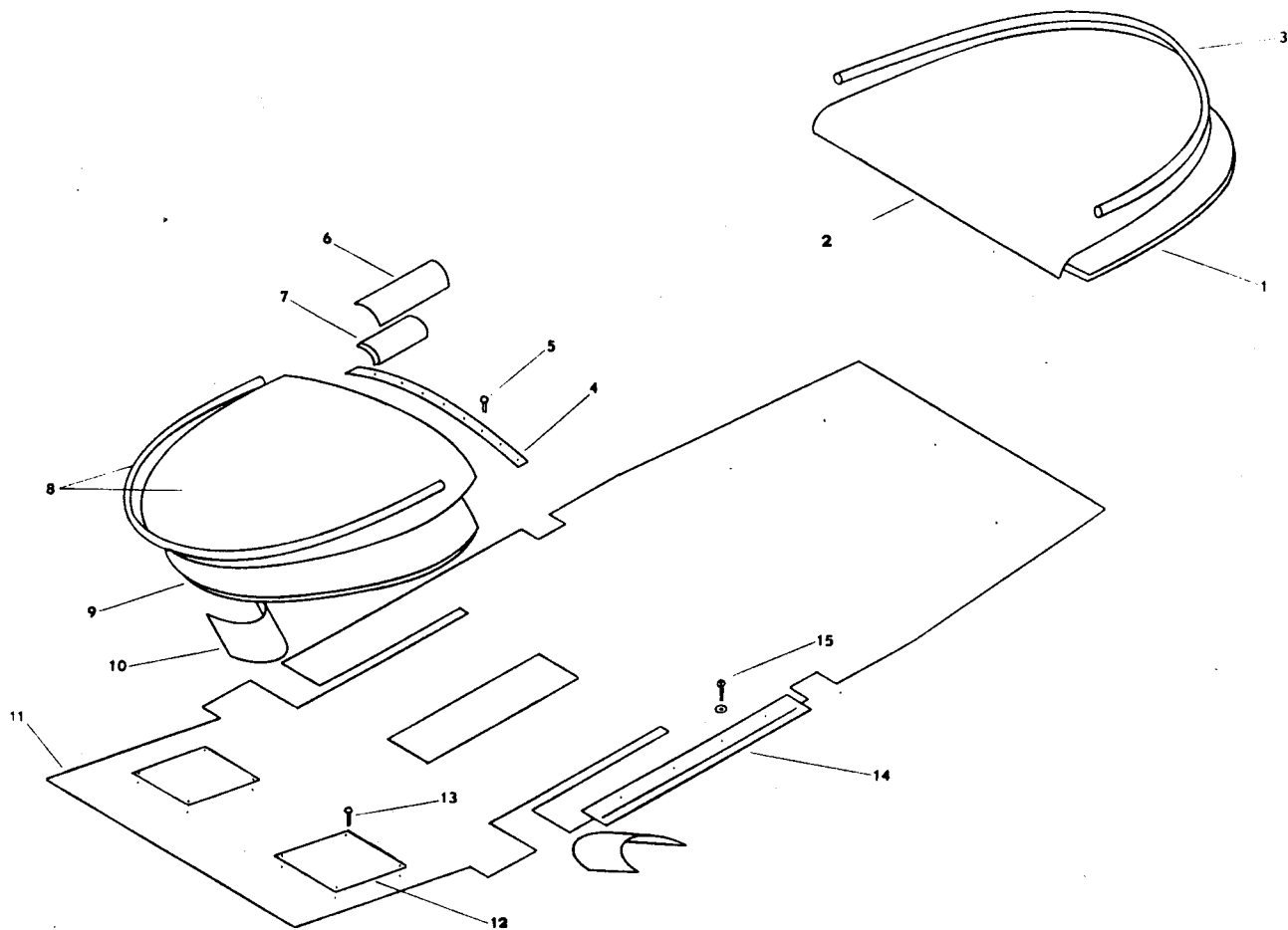


FIGURE 40

103

INTERIOR-CARPET  
AND DECK COVERS.  
LARK COMMANDER

*Illustrated Parts Catalog*

Albany Plant

One Rockwell Avenue

Albany, Georgia 31702 • 912/435-8161

Cable Address: AEROCOM-Albany

FIG. & INDEX	PART NUMBER	NOMENCLATURE	NO. REQ.	EFFECTIVE SERIALS
40-				
-11	31443	Carpet	1	
-12	31447-1/2	Scuff Plate, Left (-1), Right (-2)	2	
		-ATTACHING PARTS-		
-13	59179	Screw, PK 6x $\frac{1}{2}$	4	
		----*----		
-14	31446	Sill, Door	2	
		-ATTACHING PARTS-		
-15	59179	Screw, PK 6x $\frac{1}{2}$	4	
		----*----		
41-		<u>INTERIOR - FLOORBOARDS</u>		
-1	33776	Floorboard, Front Lower	1	
-2	33782	Support	2	
		-ATTACHING PARTS-		
-3	59458	Nut, Tinn. A1789-8Z-3	8	
	59680	Screw, AN530-8-12	8	
	58850	Washer, AN970-3	4	
		----*----		
-	33774	Floorboard, Front Left	1	
-4	33775	Floorboard, Front Right	1	
		-ATTACHING PARTS-		
-5	59458	Nut, Tinn. A1789-8Z-3	8	
-6	59680	Screw, AN530-8-12	8	
	58850	Washer, AN970-3	8	
		----*----		
-7	31448-1/2	Trim Strap, Left (-1), Right (-2)	2	
-8	33777-1	Floorboard, Center Left	1	
-	33777-2	Floorboard, Center Right	1	
-9	33778	Floorboard, Rear	1	
		-ATTACHING PARTS-		
-10	59680	Screw, AN530-8-12	7	
	58850	Washer, AN970-3	7	
-	59458	Nut, Tinn. A1789-8Z-3	11	
		----*----		
-11	33779	Cover		
		-ATTACHING PARTS-		
-12	59677	Screw, AN530-6-4	28	
		----*----		

- Indicates Not Illustrated

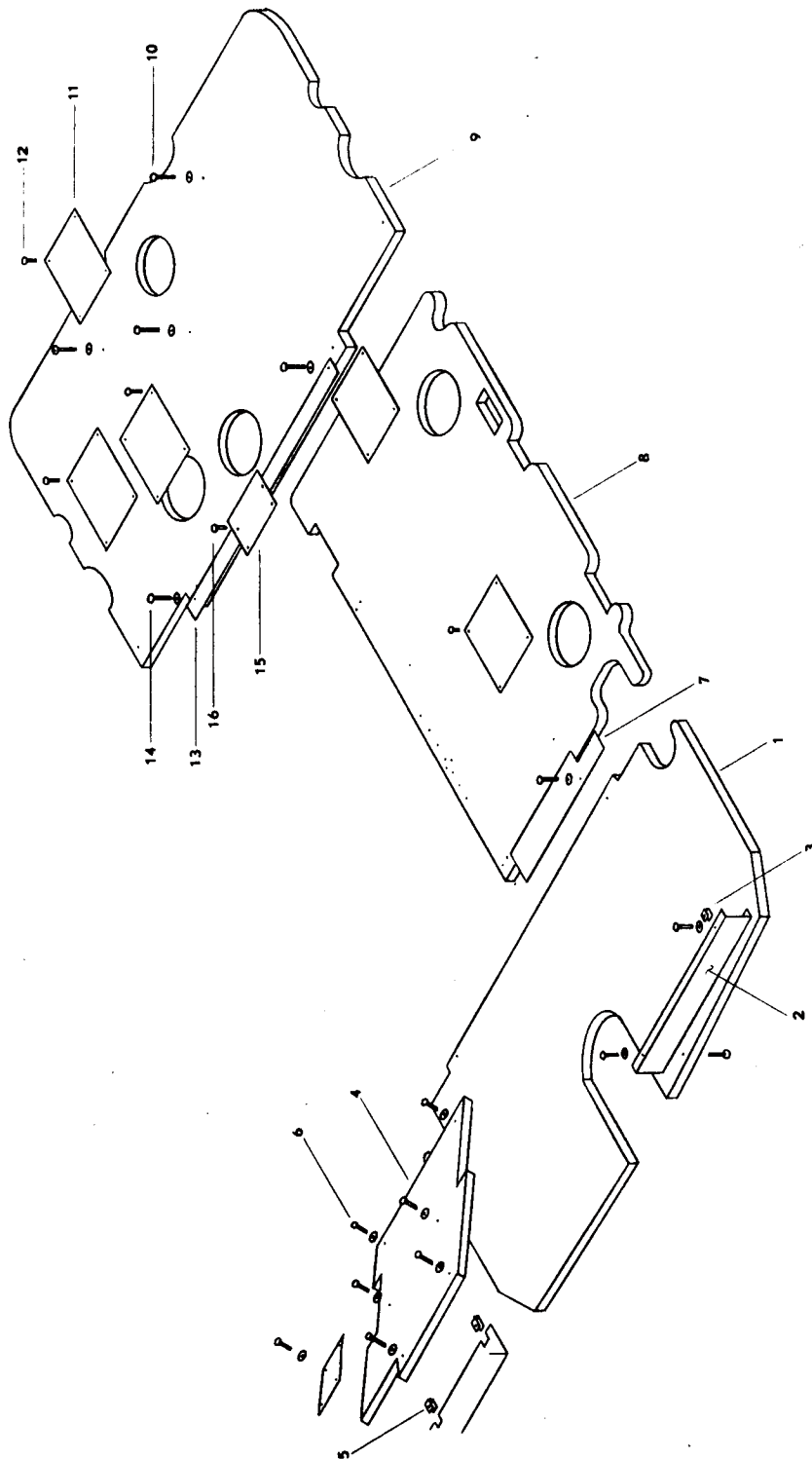


FIGURE 41

105

INTERIOR -  
FLOORBOARDS.  
LARK COMMANDER

*Illustrated Parts Catalog*

Albany Plant

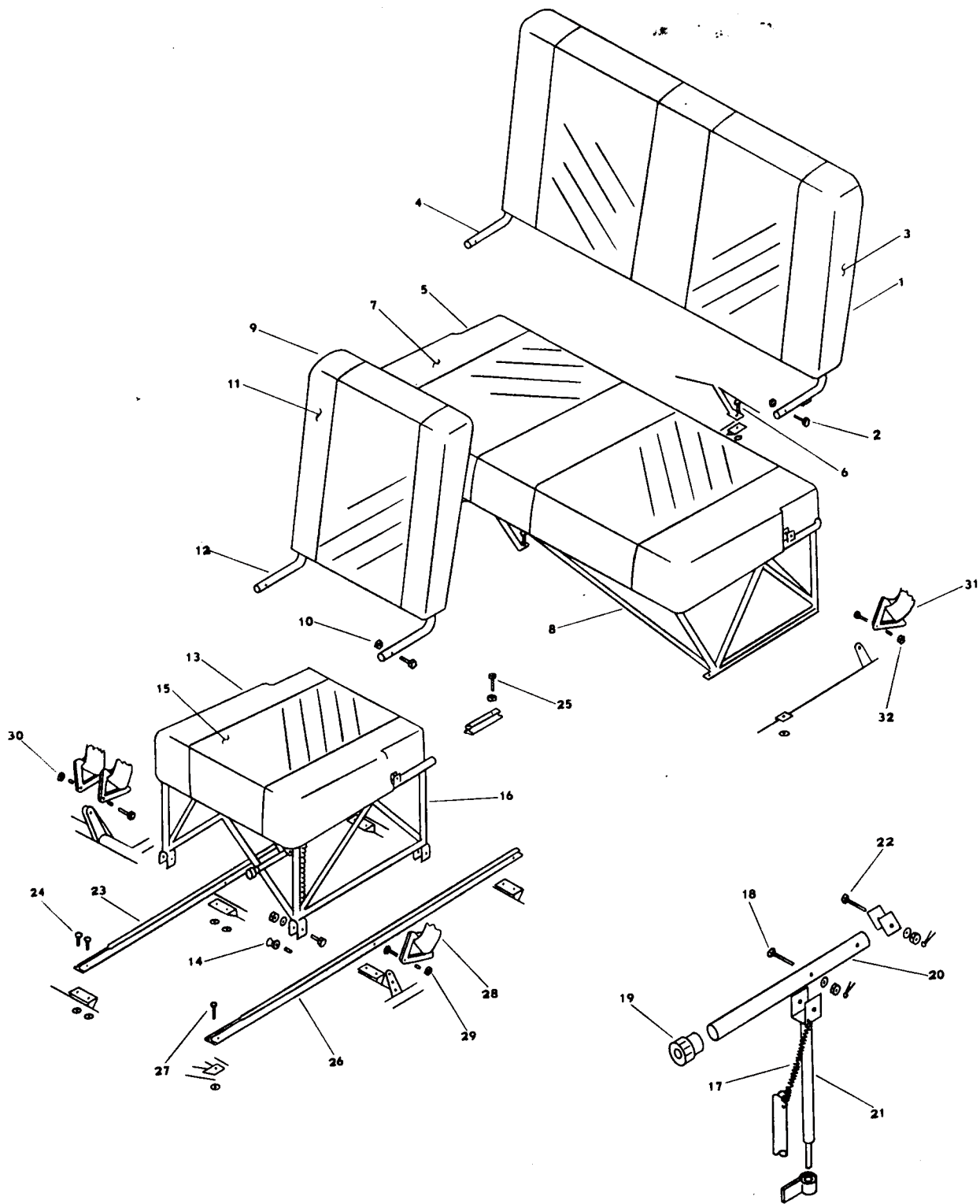
One Rockwell Avenue

Albany, Georgia 31702 • 912 435-6181

Cable Address: AEROCOM-Albany

FIG. & INDEX	PART NUMBER	NOMENCLATURE	NO. REQ	EFFECTIVE SERIALS
41-				
-13	33780	Cover	1	
		-ATTACHING PARTS-		
-14	59682	Screw, AN530-8-8	8	
		----*----		
-15	33781	Cover	1	
		-ATTACHING PARTS-		
-16	59681	Screw, AN530-8-6	4	
		----*----		
42		<u>INTERIOR - SEATS</u>		
-1	33810	Seat Back Assembly, Rear	1	
		-ATTACHING PARTS-		
-2	53402	Bolt, AN24-19A	2	
	55349	Nut, MS20364-428	2	
		----*----		
-	33819	.Cushion, Rear Seat	1	
-3	33820	.Cover, Rear Seat	1	
		-ATTACHING PARTS-		
-	68049	Screw, NAS385-6-6PS	5	
	68229	Washer, NAS391-16P	5	
		----*----		
-4	33812	.Frame Assembly, Rear Seat Back	1	
-5	33809	Seat Bottom Assembly, Rear	1	
		-ATTACHING PARTS-		
-6	50101	Bolt, AN3-10A	3	
	58740	Washer, AN960-10	3	
		----*----		
-	33815	.Cushion, Rear Seat	1	
-7	33816	.Cover, Rear Seat	1	
		-ATTACHING PARTS-		
-	62701	#2 Hog Ring	AR	
		----*----		
-8	33811	.Frame Assembly, Rear Seat, Bottom	1	
-	33814	.Skirt, Rear Seat	1	
		-ATTACHING PARTS-		
-	68049	Screw, NAS385-6-6P	4	
	68230	Washer, NAS391-6P	4	
		----*----		

- Indicates Not Illustrated



**FIGURE 42**

*Illustrated Parts Catalog*

Albany Plant  
 One Rockwell Avenue  
 Albany, Georgia 31702 • 913.435-6181  
 Cable Address: AERCCOM-Albany

FIG. & INDEX	PART NUMBER	NOMENCLATURE	NO. REQ.	EFFECTIVE SERIALS
42-				
-9	33887	Seat Back Assembly, Front -ATTACHING PARTS-	2	
-10	53402	Bolt, AN24-19A	2	
	55349	Nut, MS20364-428 ----*----	2	
-	33880	.Cushion, Front Back	2	
-11	33883	.Cover, Front Back -ATTACHING PARTS-	2	
-	68049	Screw, NAS385-6-6PS	6	
	68229	Washer, NAS391-16P ----*----	6	
-12	33843	.Seat Back Weldment	2	
-13	33888-1/2	Bottom Seat Assembly, Front, Left (-1), Right(-2) -ATTACHING PARTS-	2	
-14	50151	Bolt, AN3-12A	8	
	55399	Nut, MS20365-428	8	
	58740	Washer, AN960-10	8	
	33861	Spacer	8	
	33862	Roller ----*----	8	
-	33881	.Cushion, Front Bottom	2	
-15	33882	.Cover, Front Bottom -ATTACHING PARTS-	2	
-	62701	#2 Hog Ring ----*----	AR	
-	33878	.Seat Skirt Front, Outboard	2	
-	33879	.Seat, Skirt Front, Inboard -ATTACHING PARTS-	2	
-	68049	Screw, NAS385-6-6P	AR	
	68230	Washer, NAS391-6P ----*----	AR	
-16	33875	.Bottom Seat Assembly, Front	2	
-	33869	..Seat Locking Mechanism -ATTACHING PARTS-	2	
-17	33863	Spring Front Seat	2	
-18	50050	Bolt, AN3-6	2	
	54375	Nut, AN310-3	2	
	58740	Washer, AN960-10	2	
	55675	Cotter Pin, AN380-2-2 ----*----	2	
-19	40170	...Tip - Schacht #16	2	
-20	33874	...Lever Arm	2	

- Indicates Not Illustrated

*Illustrated Parts Catalog*

Albany Plant  
 One Rockwell Avenue  
 Albany, Georgia 31702 • 912/435-6161  
 Cable Address: AEROCOM-Albany

FIG. & INDEX	PART NUMBER	NOMENCLATURE	NO. REQ.	EFFECTIVE SERIALS
42-				
-21	33870	...Pin Assembly	2	
		-ATTACHING PARTS-		
-22	50075	Bolt, AN3-7	2	
	58740	Washer, AN960-10	2	
	54375	Nut, AN310-3	2	
	55675	Cotter Pin, AN380-2-2	2	
		----*----		
-23	33784	Track, Seat Inboard	2	
		-ATTACHING PARTS-		
-24	56555	Screw, AN509-10-12	2	
	56597	Screw, AN520-10-12	2	
		----*----		
-25	56798	Stop Screw, AN526-832-10	2	
	54695	Stop Nut, AN316-3	2	
-26	33785	Track Seat, Outboard	2	
		-ATTACHING PARTS-		
-27	68095	Screw, NAS221-12	18	
		----*----		
-28	60305	Seat Belt - Davis FDC 2700-152	2	
		-ATTACHING PARTS-		
-29	50851	Bolt, AN4-5A	2	
-30	50902	Bolt, AN4-7A	1	
	58740	Washer, AN960-416	3	
	55399	Nut, AN365-428	3	
		----*----		
-31	60304	Seat Belt - Davis FDC 2700D-149	1	
		-ATTACHING PARTS-		
-32	50851	Bolt, AN4-5A	2	
	58740	Washer, AN960-416	2	
	55399	Nut, AN365-428	2	
		----*----		

- Indicates Not Illustrated